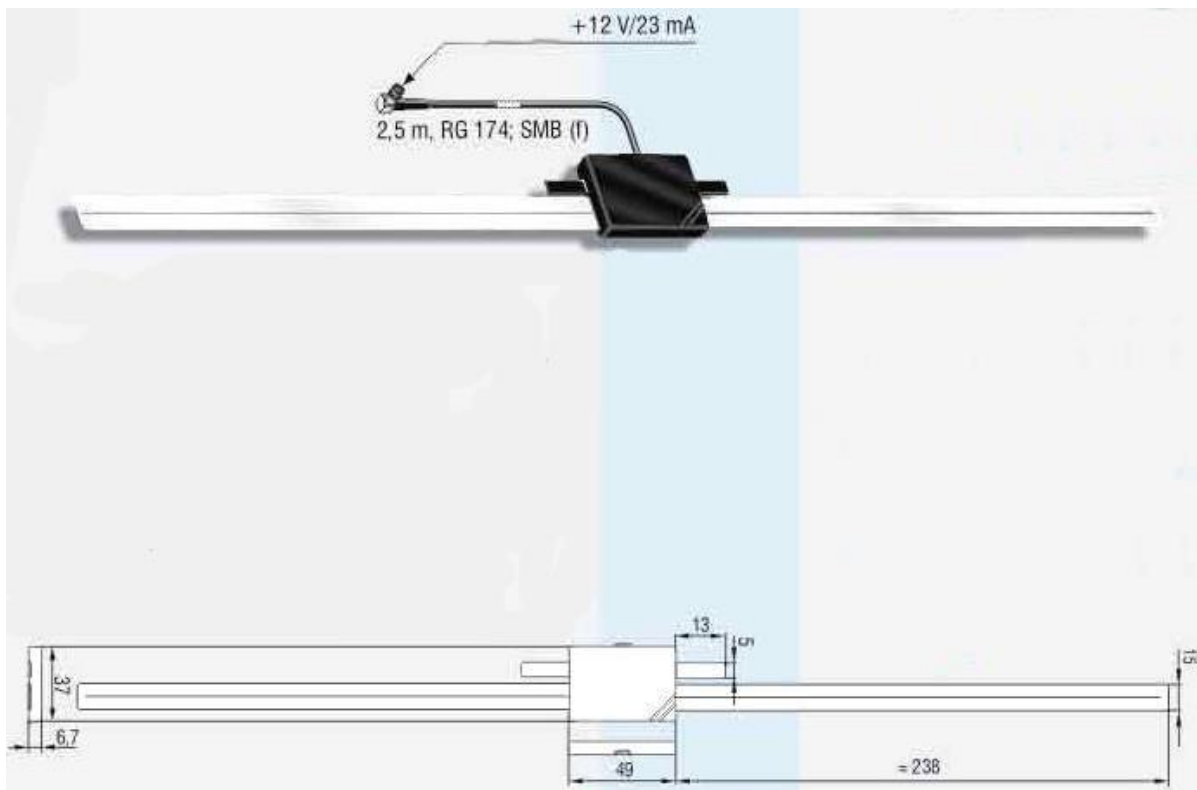


DAB Antenna

Model: 202-857

DAB vindusantenne aktiv, 4m kabel RG316, SMB-Han vinkel

1 Dimension (Unit: mm)



2 Electrical Characteristics

3.1 DAB Antenna

Form 1

No.	Item	Specifications
1	Frequency	B III: 174~237 MHz L-Band: 1452~1492 MHz
2	Gain (Zenith)	B III: ≈ 9 dB L-Band: 2 dBi

3	Impedance	50 Ω
4	DC Voltage	12 V
5	DC Current	≤ 40 mA



3.2 Mechanical

Form 2

No.	Item	Specification
1	Cable	RG316
2	Connector	SMB right angle female
3	Plastic Housing	Black
4	Mounting	Adhesive