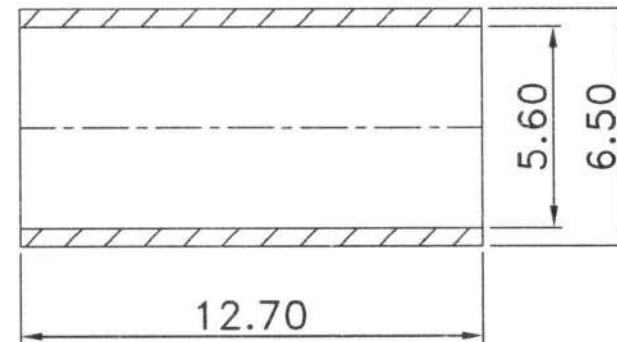
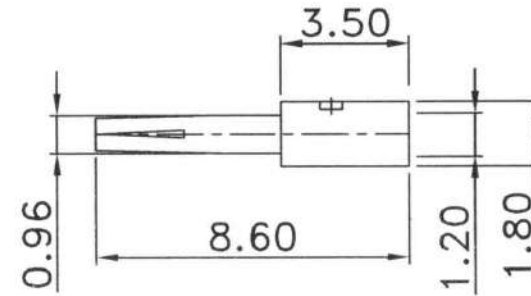
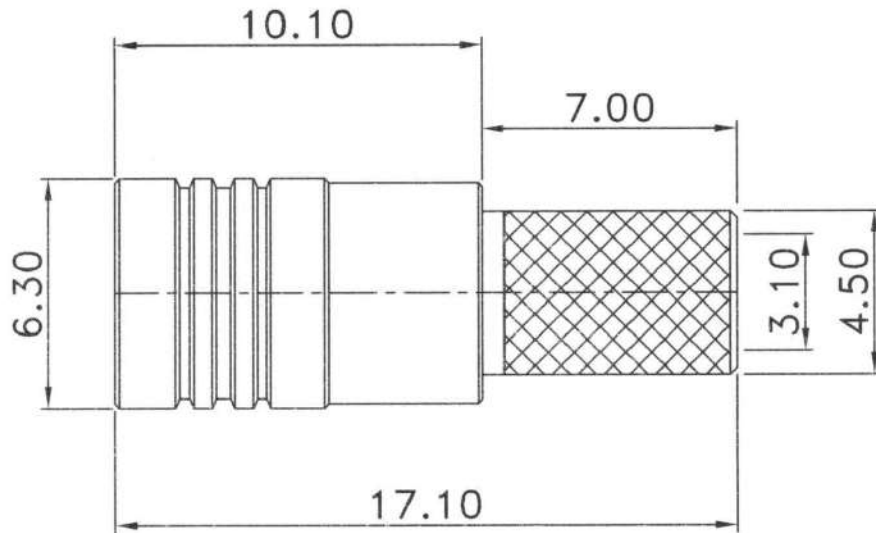


REV	DESCRIPTION	DRAWN	DATE



7	RETAINING RING	1	BERYLLIUM	GOLD
6	FERRULE	1	COPPER	GOLD
5	FERRULE	1	BRASS	GOLD
4	DIELECTRIC	1	TEFLON	NONE
3	PIN	1	BERYLLIUM	GOLD
2	BODY	1	BRASS	GOLD
1	BODY	1	BRASS	GOLD
NO	Description	Qty	Material	Finish

UNLESS OTHERWISE SPECIFIED

1. REMOVE ALL BURRS.
2. BREAK ALL CONNERS & EDGES CO.15 MAX.
3. CHAMFER 1ST & LAST THREADS 45°.
4. DIAMETERS ON COMMON CENTERS.
5. ALL DIMENSIONS ARE TO BE CONCENTRIC WITHIN 0.1 T.I.R.

* MAJOR DIMENSION

- UNLESS OTHERWISE NOTED TOLERANCES
- 0.5-6=±0.2
 - 6-30=±0.4
 - 30-120=±0.6
 - 120-315=±1.0
 - ANGLES=±1°

APPROVED

CHECKED

DRAWN

andrew

DRAWN DATE 03/06/07

MCE Mauritz Electronics

TITLE

SMB MALE CRIMP FOR HDF200

DRAWING NO.

SMB-07-10-1-F2-TGG

REV A

SCALE

6/1

UNIT

MM

FILE NO.