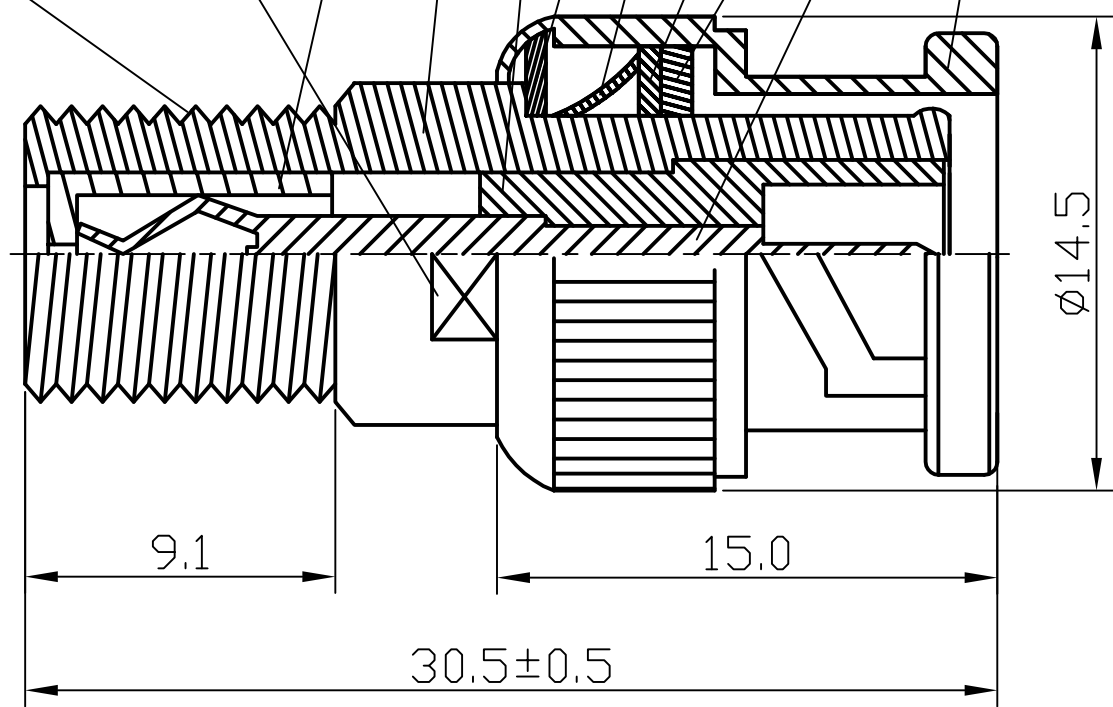


ROHS COMPLIANCE

DATE	DESCRIPTION	REV
09.02.06	NEW RELEASE	A

FLATS 9.5 4 2 3 6 7 8 9 5 1

3/8"-32 UNEF



NO	Description	Q'ty	Material	Finish	Part Number
9	GASKET	1	PVC	RED	
8	WASHER	1	S50C	NICKEL	
7	SPRING	1	SK-5	NICKEL	
6	WASHER	1	SS41	NICKEL	
5	PIN	1	BRASS	GOLD	
4	INSULATOR	1	DELTRIN	WHITE	
3	INSULATOR	1	DELTRIN	WHITE	
2	BODY	1	BRASS	NICKEL	
1	SHELL	1	BRASS	NICKEL	

UNLESS OTHERWISE SPECIFIED
 1. REMOVE ALL BURRS.
 2. BREAK ALL CONNERS & EDGES CO. 15 MAX.
 3. CHAMFER 1ST & LAST THREADS 45°.
 4. DIAMETERS ON COMMON CENTERS.
 TO BE CONCENTRIC WITHIN 0.01 T.I.R.
 5. ALL DIMENSIONS ARE AFTER PLATING.

MAJOR DIMENSIONS
 UNLESS OTHERWISE NOTED TOLERANCES
 0.5-6=±0.2
 6-30=±0.4
 30-120=±0.6
 ANGLES=±5°

APPROVED BY
 CHECKED BY
 DRAWING BY
ARJEMPY
 DATE 2010/06/16

DRAWING NO
423-006
 TITLE
BNC MALE TO F FEMALE ADAPTER
 REV.
A

DO NOT SCALE DRAWING