

## FEATURES



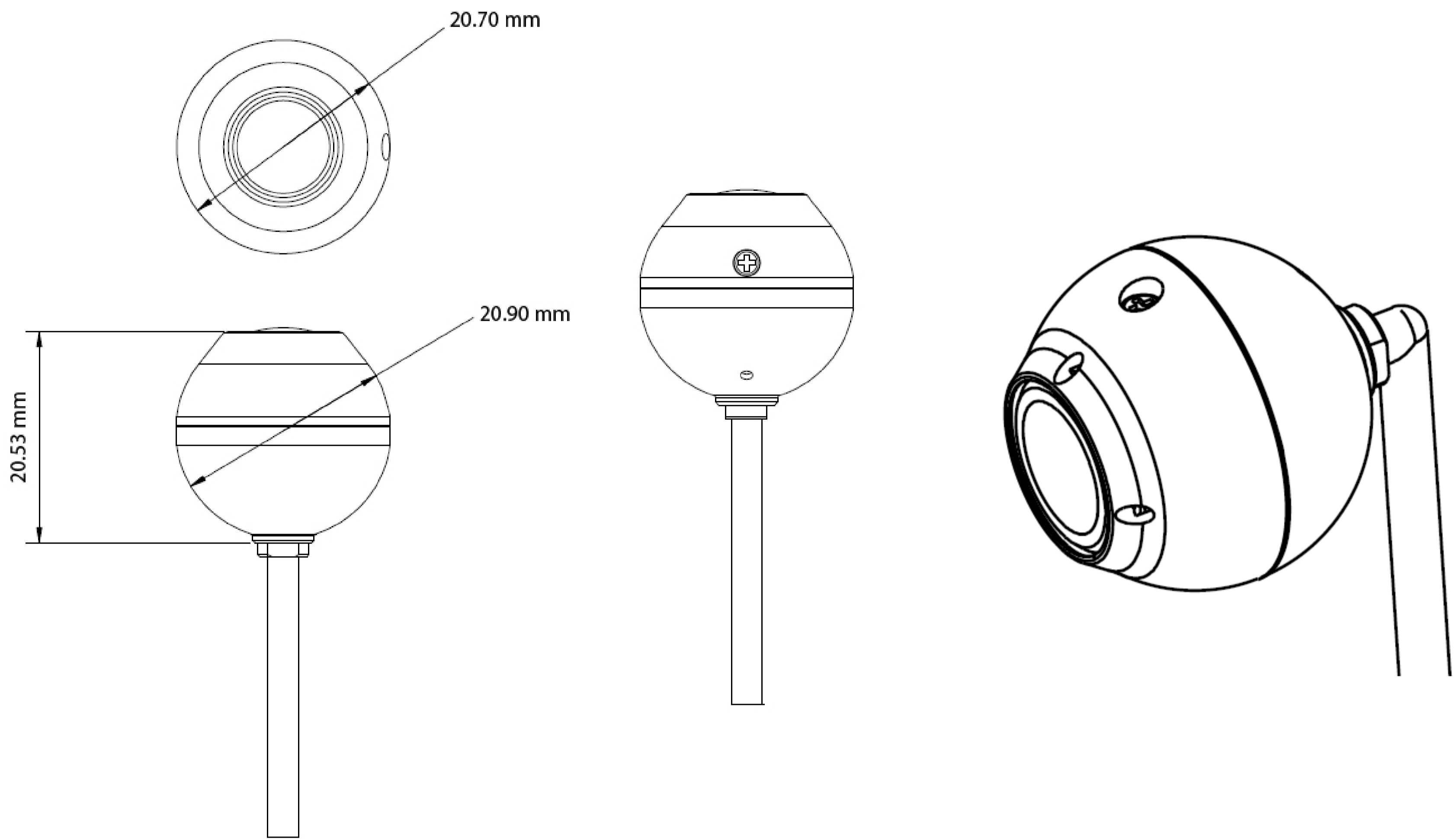
- High resolution 1/3.2" Color Digital CMOS Camera
- Compact & Smart Design
- Easy adjustable in any viewing direction
- IP69K Waterproof Rating
- Diagonal 140° viewing
- Mirror / Normal Image function
- Built-in Microphone
- Low-illumination
- Low Power Consumption
- Multi-purpose
- 2 Bracket types included
- Small diameter waterproof connector,  $\Phi$  6mm
- Anti-corrosive coating
- Operating temperature  $-40^{\circ}\text{C} \sim +80^{\circ}\text{C}$
- Vibration resistant

## Specifications

Image Sensor	1/3.2" Color Digital CMOS Image Sensor
Effective Pixels	PAL : 1.23Mega pixels
Resolution	750TV lines
Synchronizing System	Internal
S/N Ratio	More than 46dB
Minimum Illumination	0.5 Lux
Power Range	DC 5V ~ DC 18V
Power Consumption	DC 12V, 75mA (Max)
Operating Temp.	$-40^{\circ}\text{C}$ to $+80^{\circ}\text{C}$
Viewing Angle	140° (Diagonal), 110° (Horizontal), 85° (Vertical)
Video Output	1.0Vp-p Composite, 75 $\Omega$
Material	Aluminum Die-casting
Housing Color	Black
Dimension	Approx. $\Phi$ 21 mm (40 x 24 mm including bracket)
Weight	Approx. 45g (without bracket)

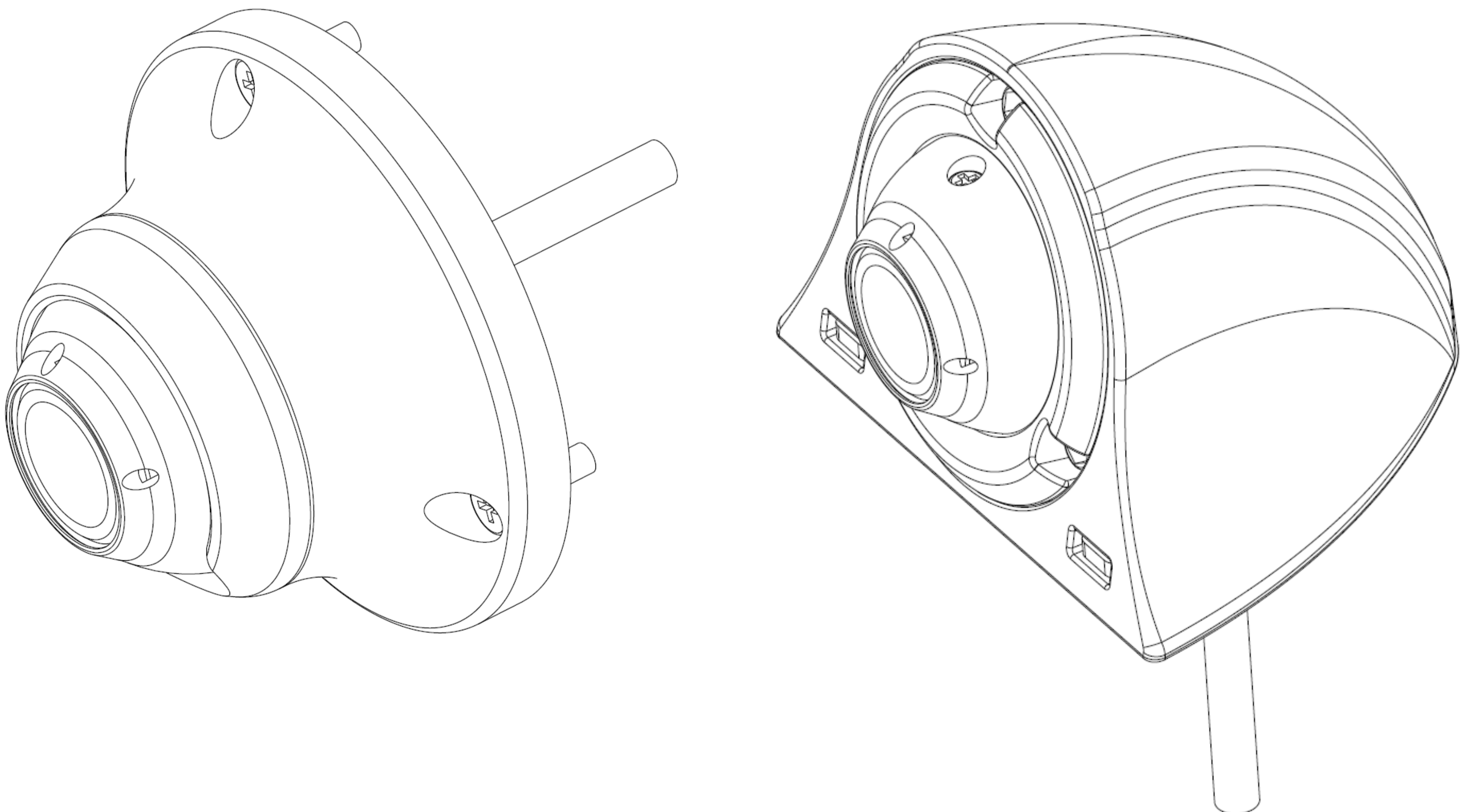


## Dimensions

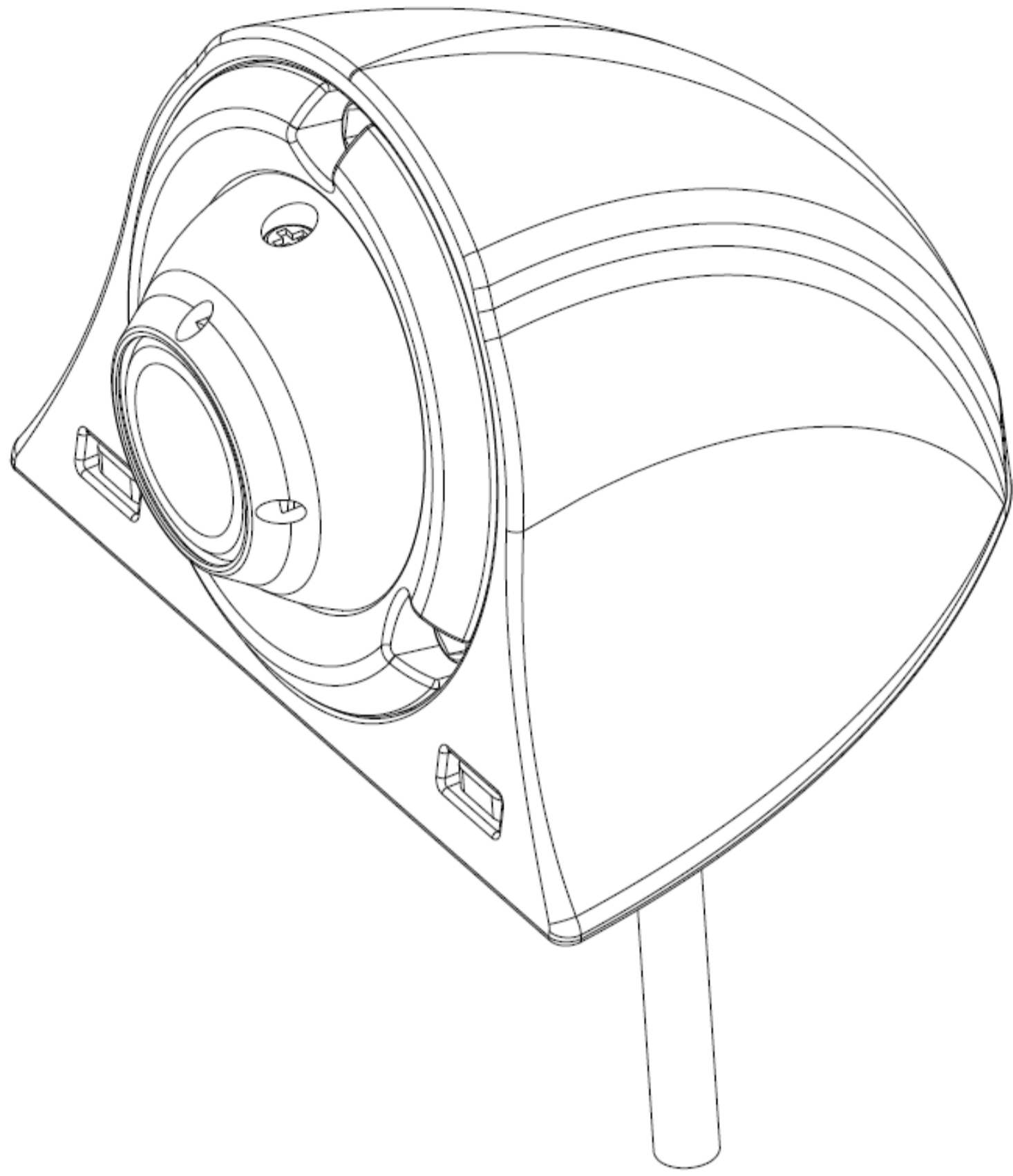


**CAMERA**

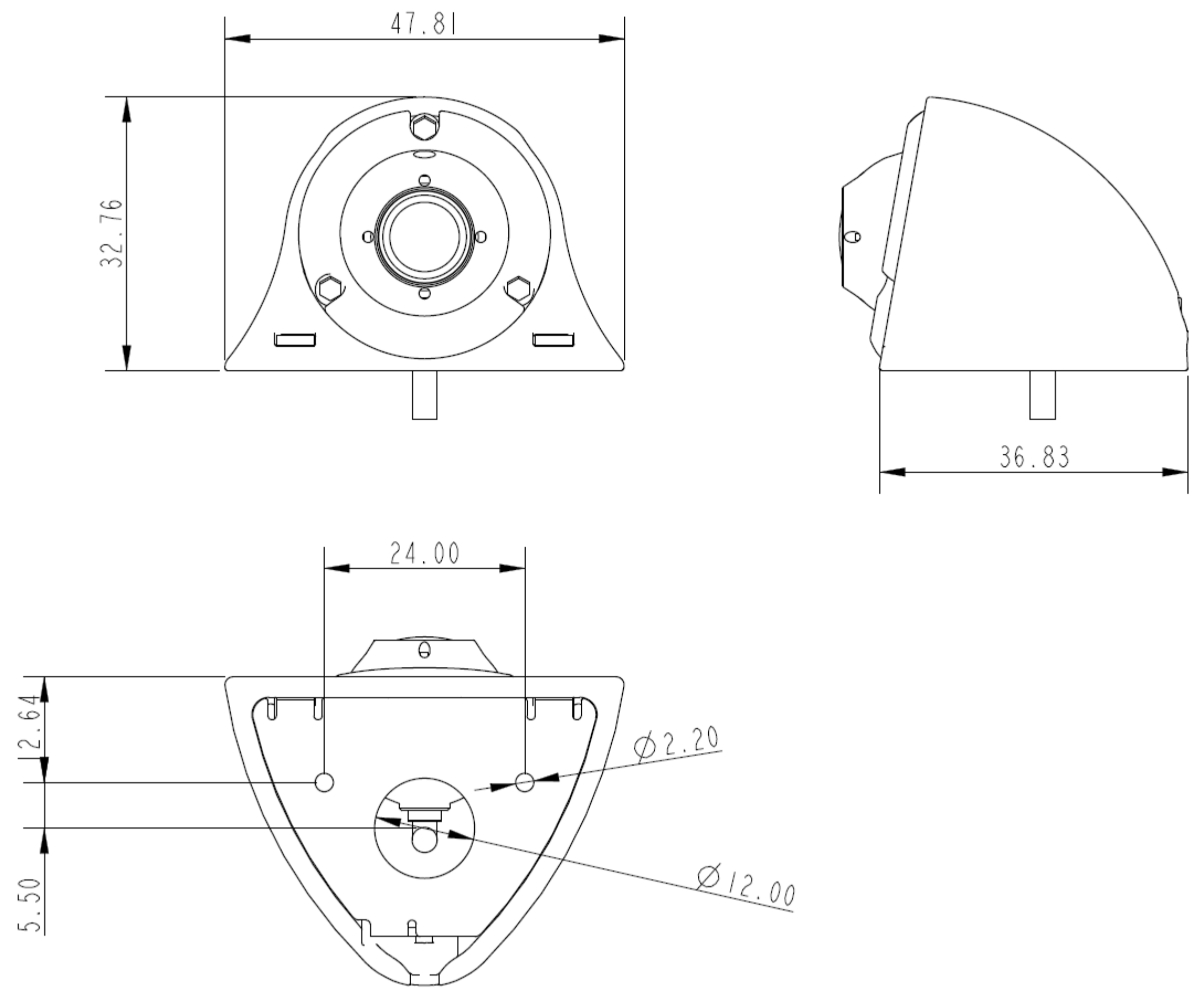
## Camera with mount bracket



## Dimensions

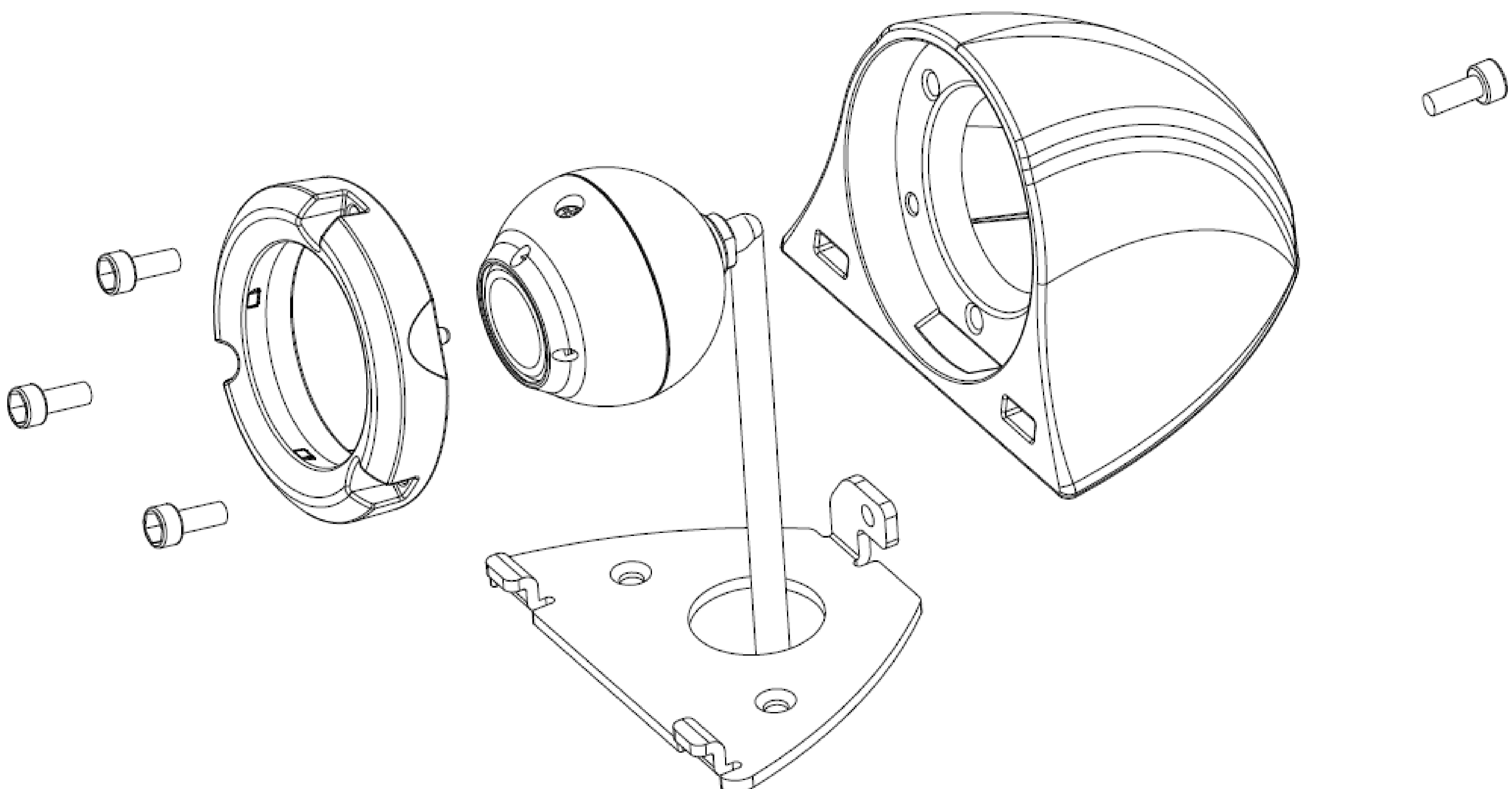


**CAMERA**



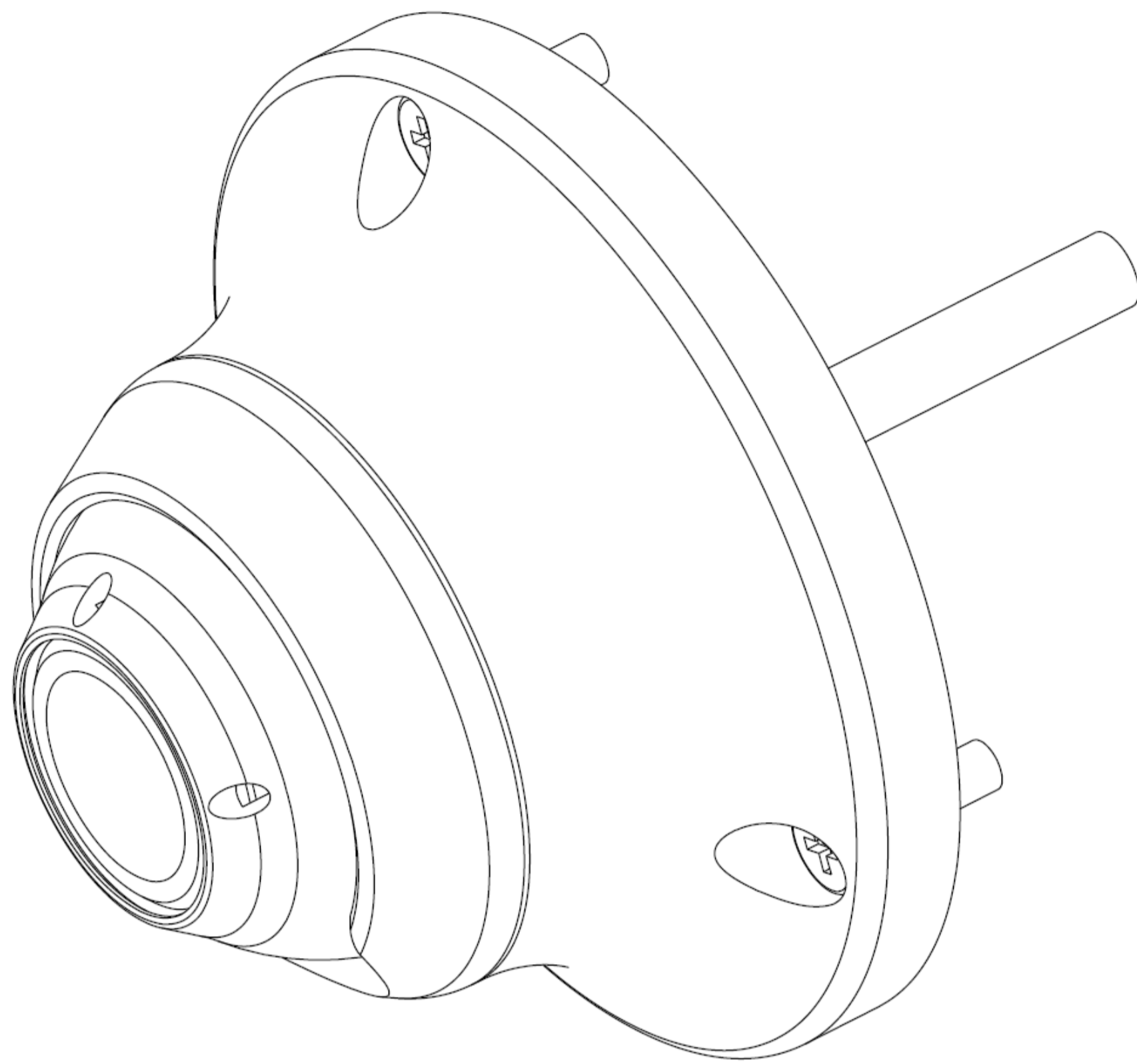
**MOUNTING BRACKET**

## Assembly (camera + mount)

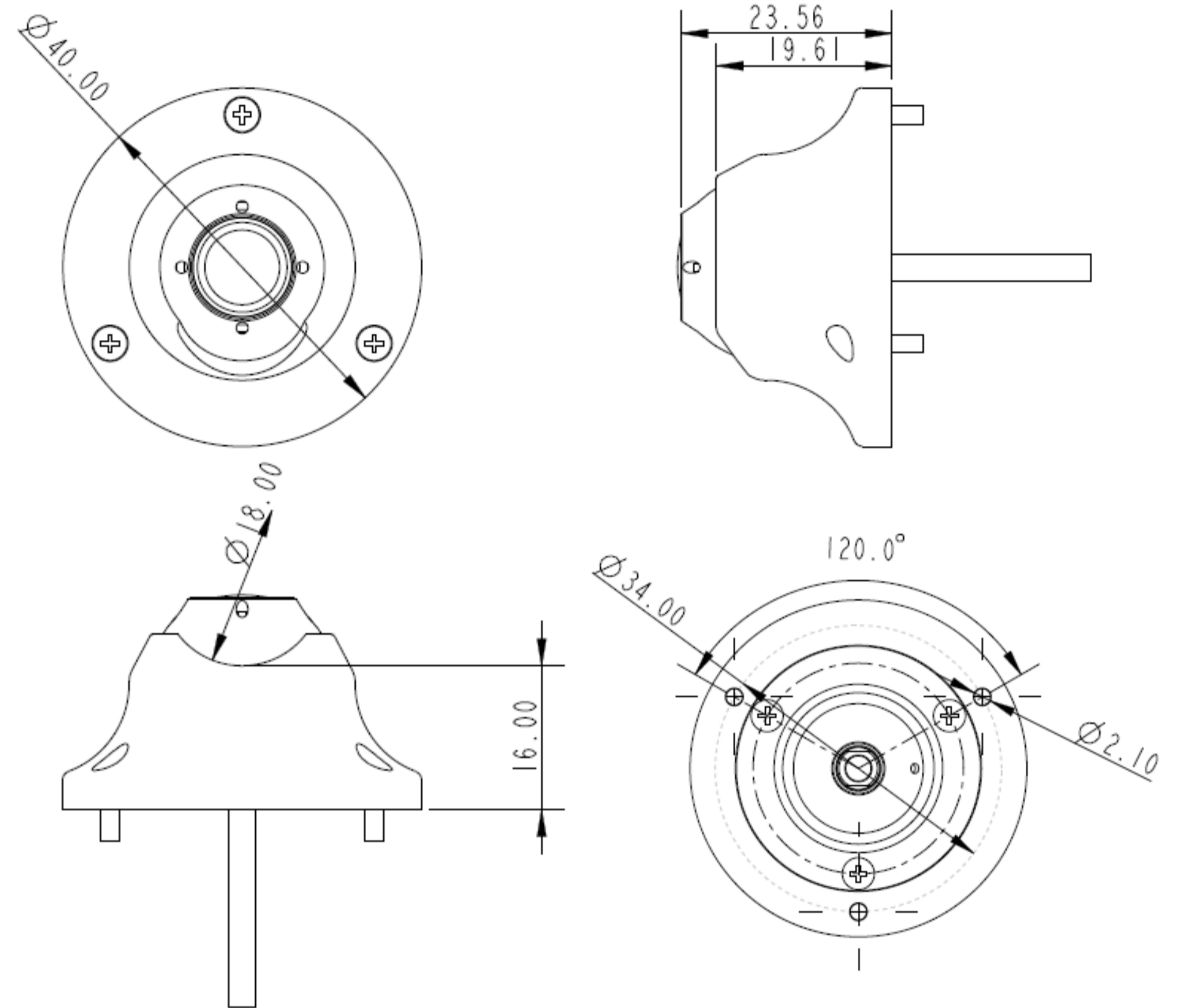




## Dimensions



**CAMERA**



**MOUNTING BRACKET**

## Assembly (camera + mount)

