

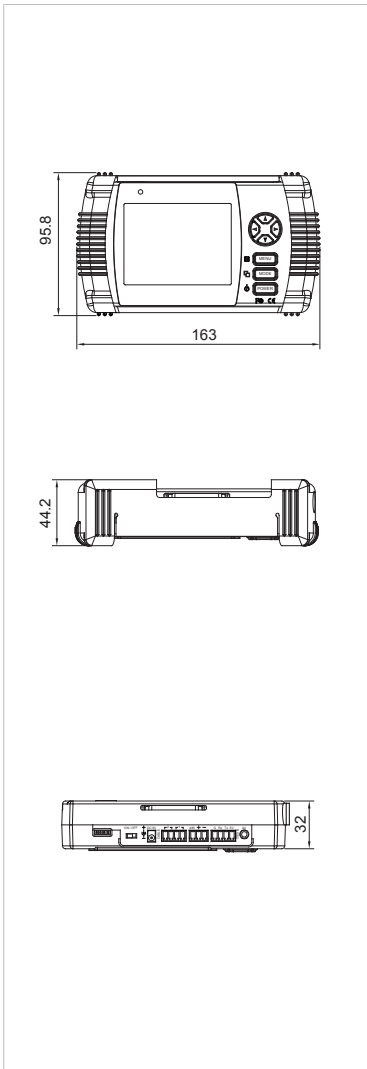
Test Monitor

3.5" LCD CCTV Test Monitor HS-TM0350



The best wrist type of Test Monitor has launched for more convenient CCTV installation!

Dimension Unit : mm



- High Quality 3.5" LED Display.
- Multiple mount: Adjustable neck lace/ Wrist straps.
- Build-in high quality rechargeable battery to stands up 5~6hrs.
- Multi-function info On Screen Display(Video Levels, Battery Voltage, AC/DC, Cable Signal, Video System, Protocol, Pattern, Audio Volume).
- Control PTZ camera.
- OSD camera operation via RS485.
- Voltage measurement (AC 20~250V, DC 0~45V).
- Twisted cable test (Open/Short).
- Input video loop out.
- Built in speaker with volume control.
- Pattern generator with color bar.
- Intelligent power saving.
- Low battery warning.
- Light weight, Robust & Durable Construction.
- Easy firmware upgrade via ISP interface.



Specifications

Model	HS-TM0350
LCD panel	3.5"
Panel backlight	LED
Display Resolution	320x240
Charge voltage	4.2V+- 10%, about 400mA
Battery	2200mA, Lithium Polymer Battery(Inner Packaging)
Charger time	3 hr
Standby time	5~6 hr
Signal input system	NTSC/PAL auto detect (BNC terminal) 1Vpp
Video level measurement	0~2Vpp (BNC terminal)
Pattern output	Color bar with 2V standard Vpp (BNC terminal)
protocol	PELCO P/ PELCO D
Transmission speed	2400/4800/9600 bps
AC Voltage	20~250 V
DC Voltage	0~45 V
Audio	Build-in speaker to test
Cable test	Break or Short circuits X 2 channels
Accessories	bag ,safeguard cover, Probe , Battery , AC adapter , Video Cable, terminal block
Firmware upgrade	On site upgrade by ISP interface
Operating Temperature	0°C ~ 45°C (32°F ~ 113°F)
Storage Temperature	-20°C ~ 45°C (-4°F ~ 113°F)
Dimension	163(W) x 44.2(H) x 95.8(D)mm
Weight	NW/GW:0.29kg / 1.07kg

