

規 格 承 認
書
SPECIFICATION FOR APPROVAL

客戶名稱：
CUSTOMER:

客戶料號：
CUSTOMER NO:

品 名
PATR NAME: 5G SUB6 690~3800MHZ Antenna

RS 料號
RS NO: M861.C2.2.999

SUPPLIER SIGNATURE (供方確認)		
APPROVAL	CHECK	DESIGN
king	Frank	HZH

CUSTOMER APPROVED BY (客戶確認)		
APPROVAL	CHIEF	SUPERVISOR

規 格 承 認
書
SPECIFICATION FOR APPROVAL

NO.	Contents(內容)	Number of Page(頁數)	Page Code(頁碼)
1	Spec Cover(承認書封面)		
2	Spec Item(承認書項目表)		
3	Product pictures(產品圖片)		
4	Product specification description(產品規格描述)		
5	Drawing(工程圖)		
6	Packing specification(包裝規範)		
7	Network test(測試)		

产品照片
Product Photos



M20 Plastic screw
installation



Bracket
installation

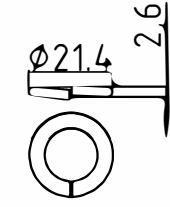
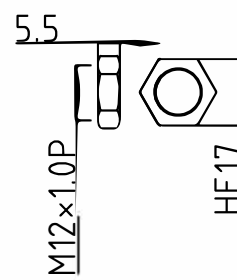
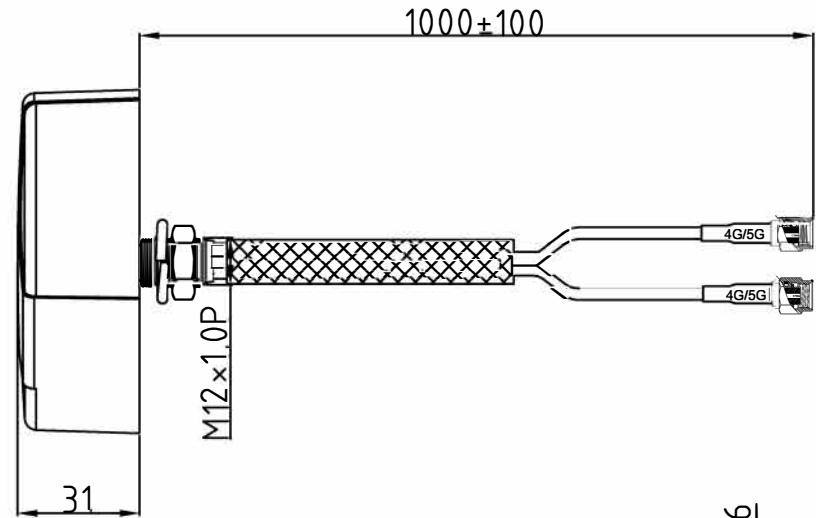
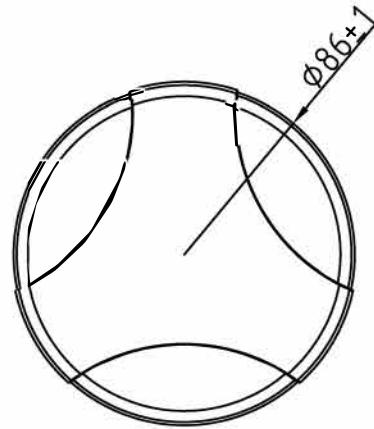
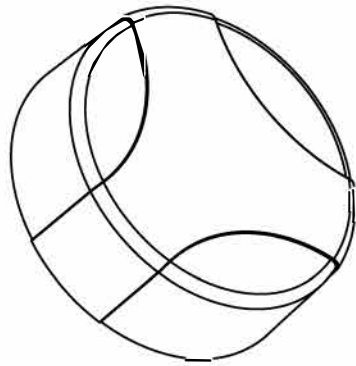


M12 Metal screw
installation



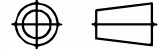
magnetic
installation

Electrical properties	
Frequency	690~3800MHZ
Impedance	50 ohm Nominal
Return Loss	-10 dBi
VSWR Port 1&2	2.5:1 MAX
Gain	3.0dBi/4.2dBi
Connector	SMA Male
Cable length	CFD100 BLACK 2 Meter
Coax cable loss	0.75dB/M~900MHz 0.99dB/M~1500MHz 1.16dB/M~2000MHz 1.438dB/M~3000MHz
Mechanical Properties	
Radome	UV Resistant PC+ABS
Operating Temp	-40°C to +80°C
Radome Color	Black



Electrical Properties	
Frequency Range	2*698~6000MHz
Impedance	50 Ω
V.S.W.R.	≤ 2.5
Radiation	Omni
Gain	5.0dBi
Polarization	Vertical
Mechanical Properties	
Random	PC+ABS
Standard Connector	RP-SMA
Waterproof Level	IP68
Operating Temp	-40°~+80°

NO	Name	Material	Finish	QTY
1	ANTENNA COVER	PC+ABS	BLACK	1
2	ANTENNA Bottom Cover	PC+ABS	BLACK	1
3	NUT	BRASS	NI	1
4	CFD200 Cable	PVC	BLACK	2
5	RP-SMA MALE	Brass	Gold	2
6	WASER	Iron	NI	1
7	Shrink tube	PE		2
8	TUBE	PET	BLACK	1

THIRD ANGLE PROJECTION  Tolerance .X ±0.1 .XX ±0.05 .x ±1°	DRAWN BY	HZH	MATERIAL:		PART NO:	M861. C2. 2. 333
	CHECKED BY		FINISH:		TITLE:	2*5G/4G MIMO Antenna
	APPROVED BY	King	UNIT:	mm	®	
	DATE:	20. 4. 14	SCALE:	1/1		

1 2 3 4 5

A

B

C

D

E

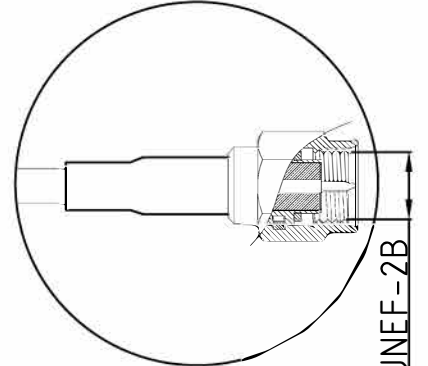
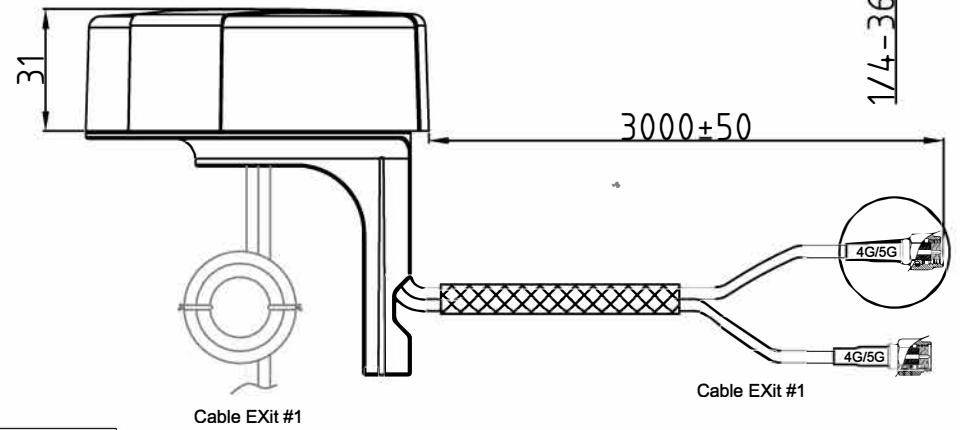
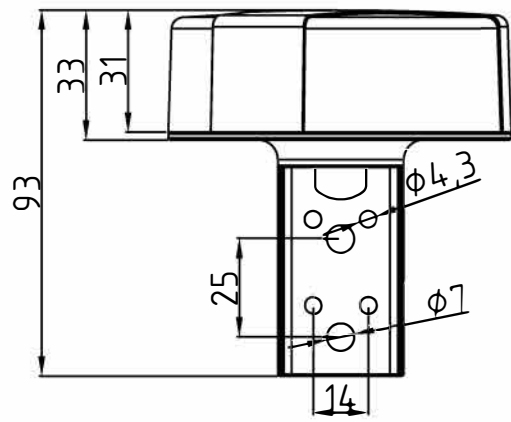
A

B

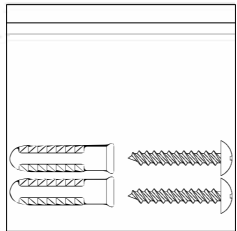
C

D

E



Electrical Properties	
Frequency Range	2*698~6000MHz
Impedance	50 Ω
V.S.W.R.	≤2.5
Radiation	Omni
Gain	5.0dBi
Polarization	Vertical
Mechanical Properties	
Random	PC+ABS
Standard Connector	RP-SMA
Waterproof Level	IP68
Operating Temp	-40°~ +80°

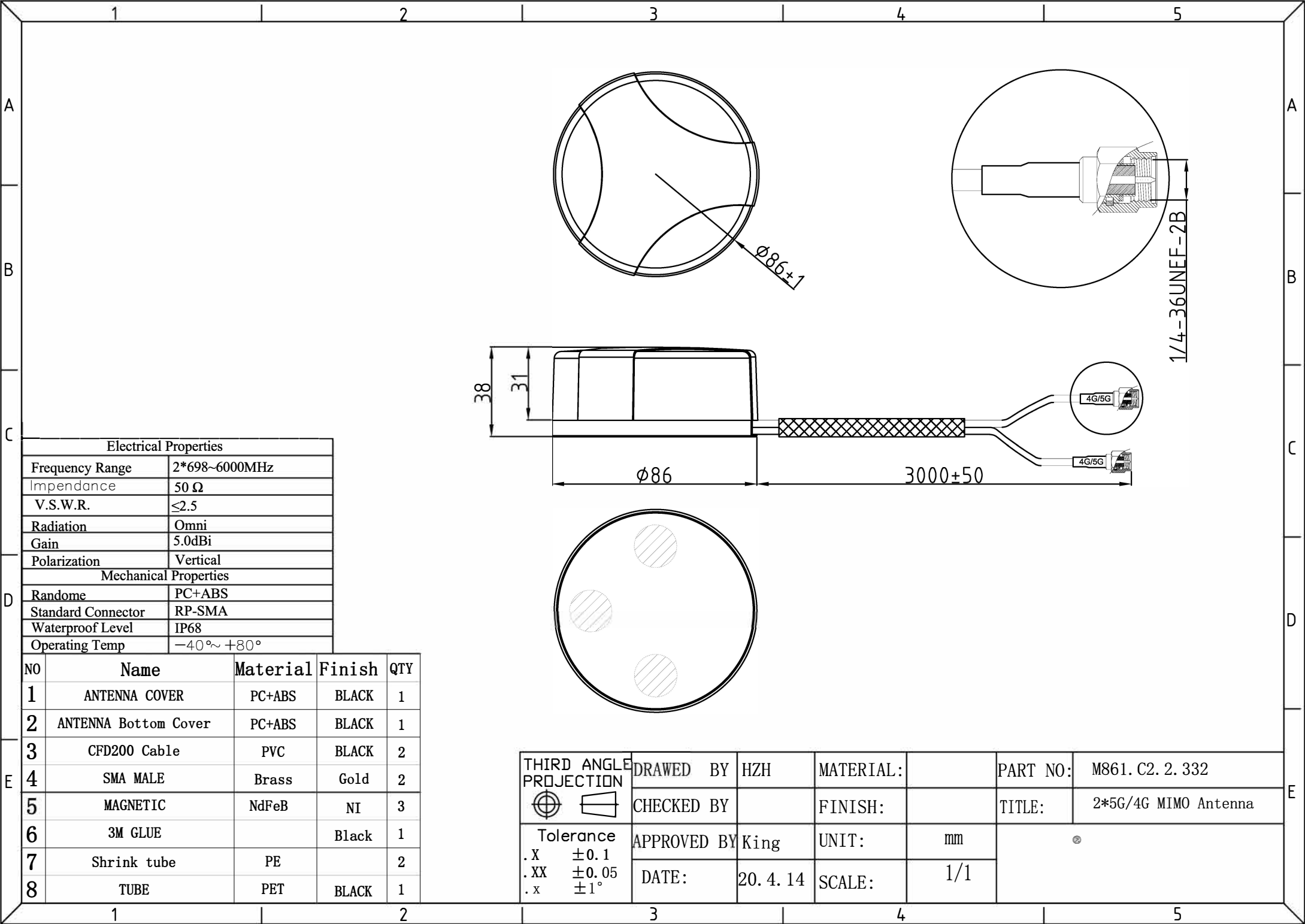


Wall Mounting Screw 4x25L

NO	Name	Material	Finish	QTY
1	ANTENNA COVER	PC+ABS	BLACK	1
2	ANTENNA Bottom Cover	PC+ABS	BLACK	1
3	Screw 4*25	SUS304	NI	4
4	CFD200 Cable	PVC	BLACK	2
5	SMA MALE	Brass	Gold	2
6	WASER	Iron	NI	1
7	Shrink tube	PE		2
8	TUBE	PET	BLACK	1

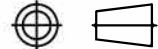
THIRD ANGLE PROJECTION Tolerance .X ±0.1 .XX ±0.05 .x ±1°	DRAWN BY	HZH	MATERIAL:		PART NO:	M861. C2. 2. 331
	CHECKED BY		FINISH:		TITLE:	2*5G/4G MIMO Antenna
	APPROVED BY	King	UNIT:	mm	®	
	DATE:	20. 4. 14	SCALE:	1/1		

1 2 3 4 5

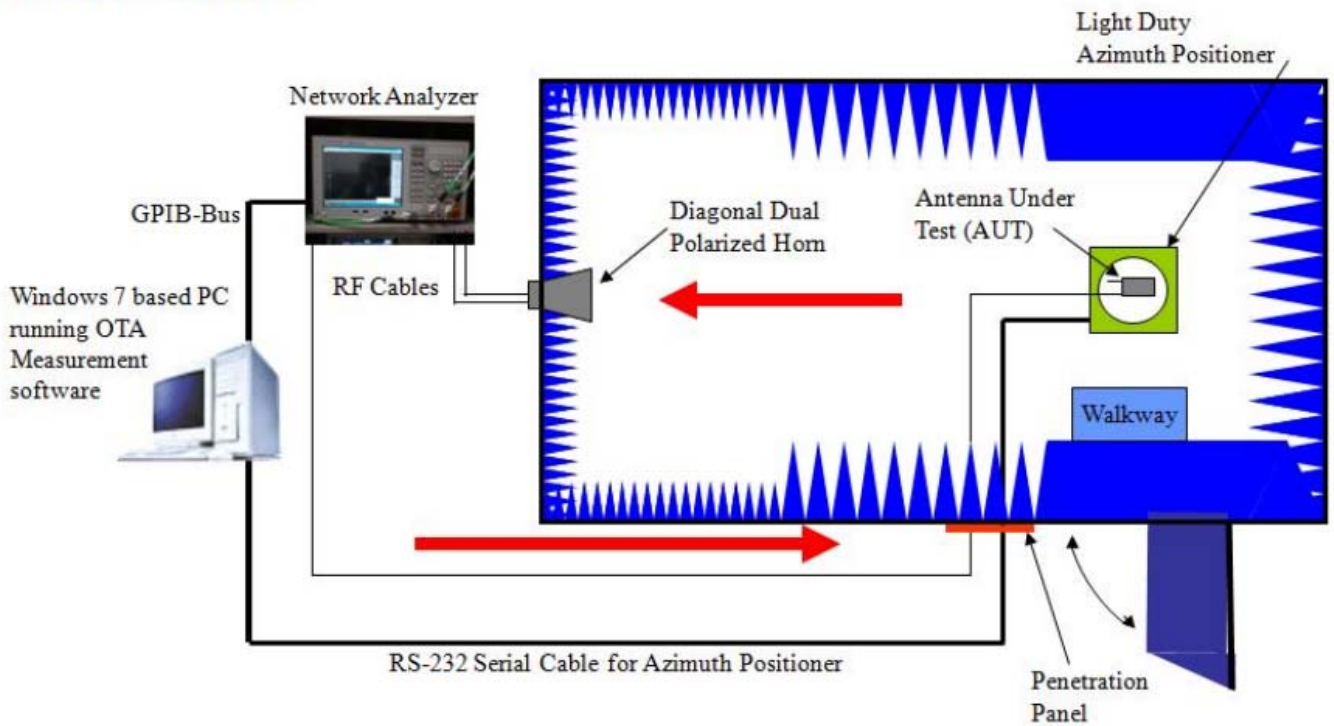


Electrical Properties	
Frequency Range	2*698~6000MHz
Impedance	50 Ω
V.S.W.R.	≤2.5
Radiation	Omni
Gain	5.0dBi
Polarization	Vertical
Mechanical Properties	
Random	PC+ABS
Standard Connector	RP-SMA
Waterproof Level	IP68
Operating Temp	-40°~ +80°

NO	Name	Material	Finish	QTY
1	ANTENNA COVER	PC+ABS	BLACK	1
2	ANTENNA Bottom Cover	PC+ABS	BLACK	1
3	CFD200 Cable	PVC	BLACK	2
4	SMA MALE	Brass	Gold	2
5	MAGNETIC	NdFeB	NI	3
6	3M GLUE		Black	1
7	Shrink tube	PE		2
8	TUBE	PET	BLACK	1

THIRD ANGLE PROJECTION  Tolerance .X ±0.1 .XX ±0.05 .x ±1°	DRAWN BY	HZH	MATERIAL:		PART NO:	M861. C2. 2. 332
	CHECKED BY		FINISH:		TITLE:	2*5G/4G MIMO Antenna
	APPROVED BY	King	UNIT:	mm	®	
	DATE:	20. 4. 14	SCALE:	1/1		

Passive mode

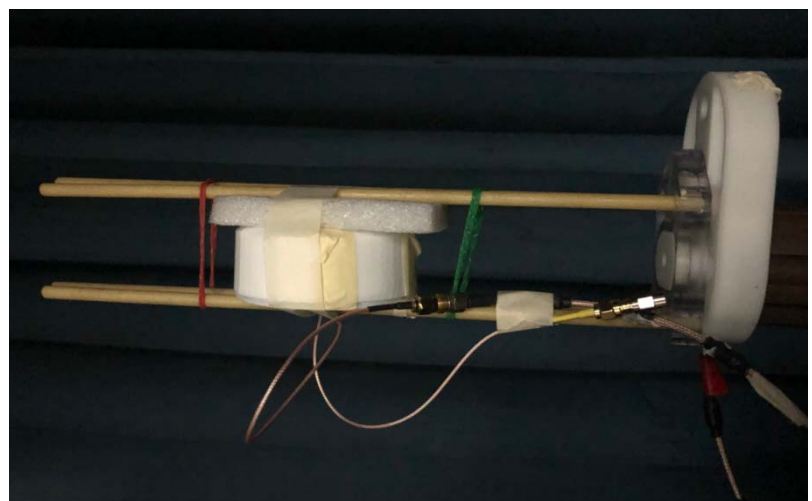
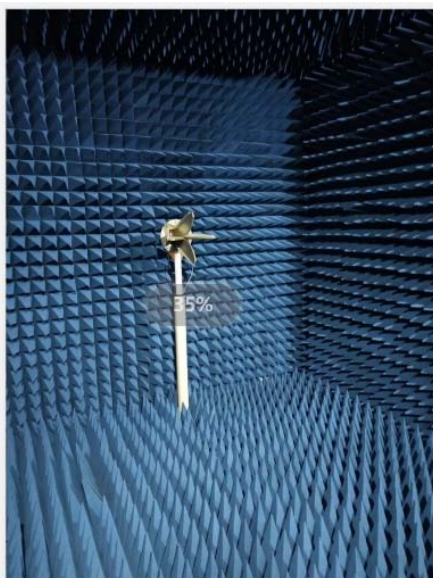


TEST INSTRUMENT :

1. AGILENT E5071C NETWORK ANALYZER
2. 3D OTA Chamber(WanShih)

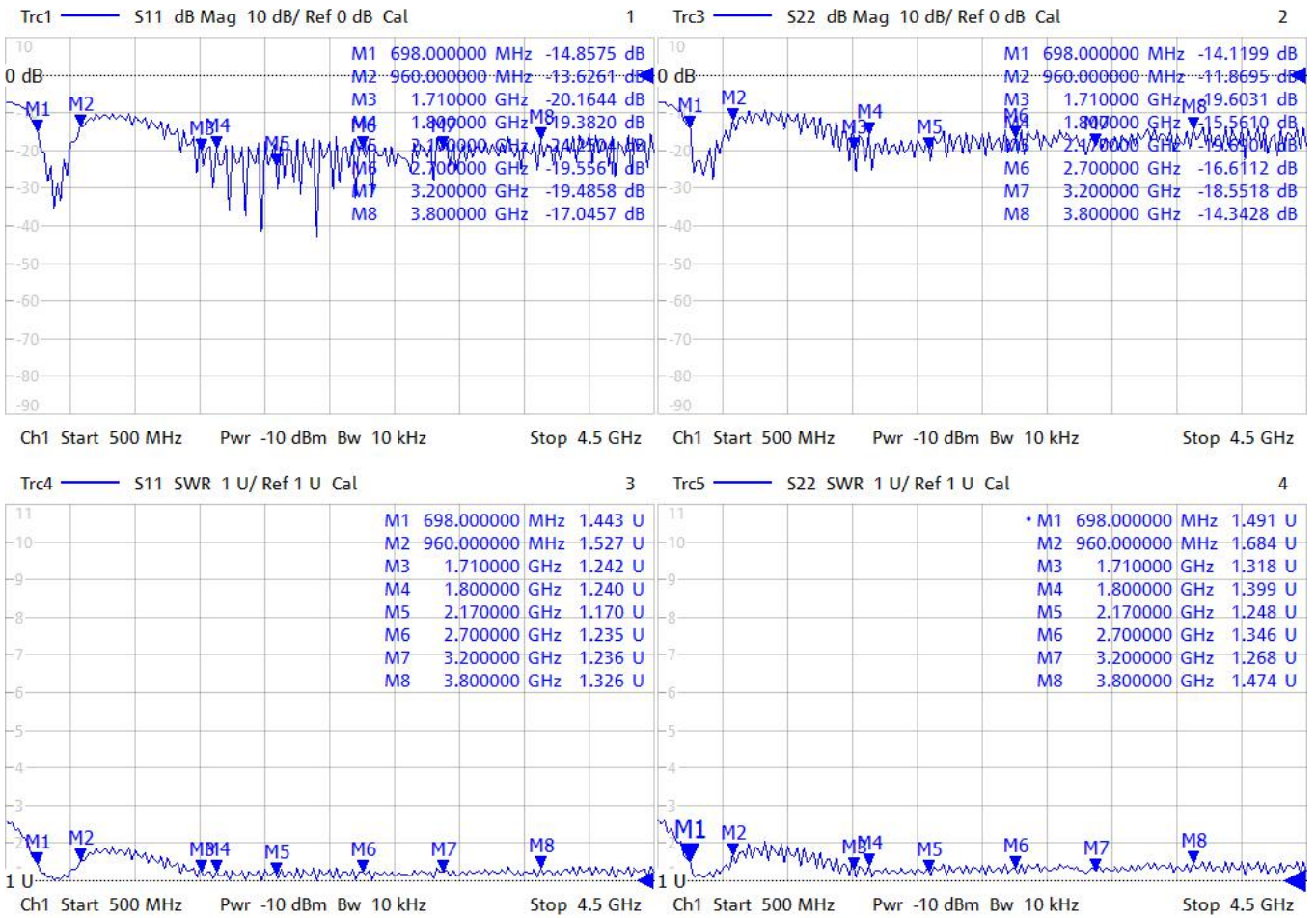
Anechoic Chamber External Dimensions

(L x W x H): 8m x 4m x 4m



VSWR

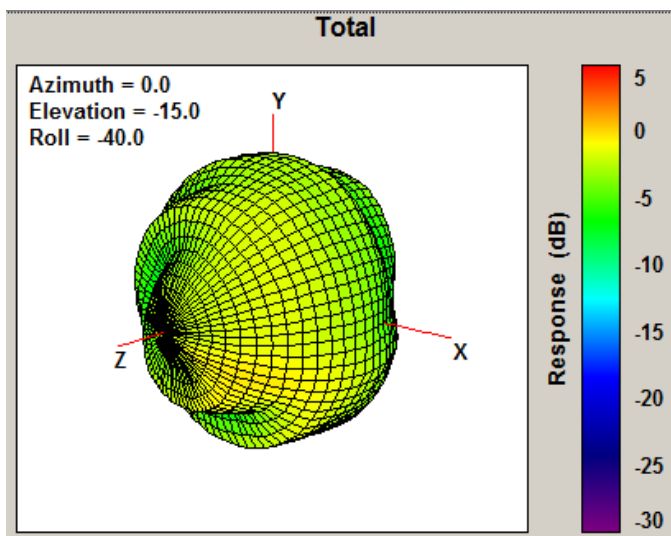
1/16/2020 1:40:52 AM
1328.5170K92-101595-Kd



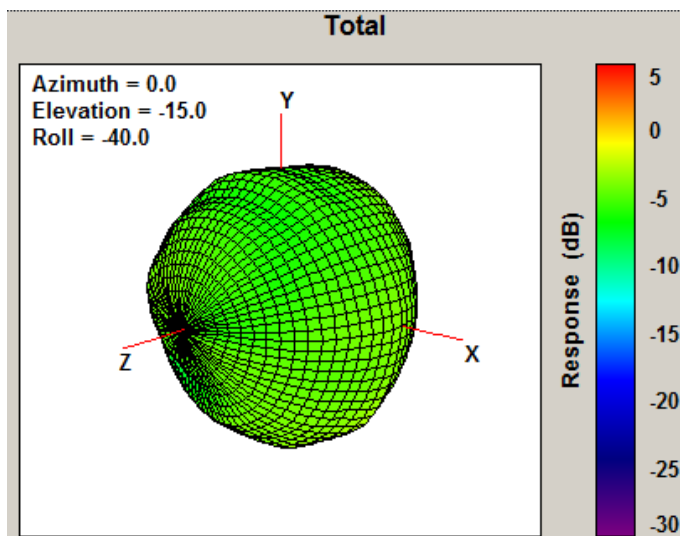
Frequency (MHz)	690MHz	960MHz	1710MHz	2700MHz	3200MHz	3800MHz
S11(-10DBi)	15.06	27.74	16.5	24.63	17.72	18.30
VSWR(≤3.0)	1.43	1.08	1.36	1.21	1.3	1.27

Radiation Patterns

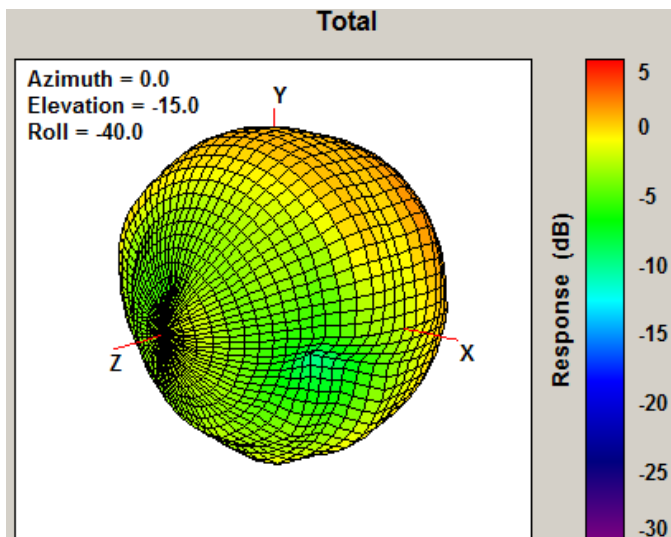
690MHz



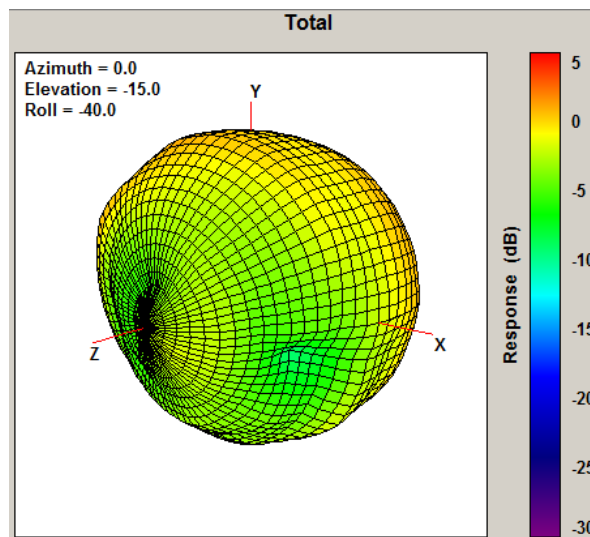
960MHz



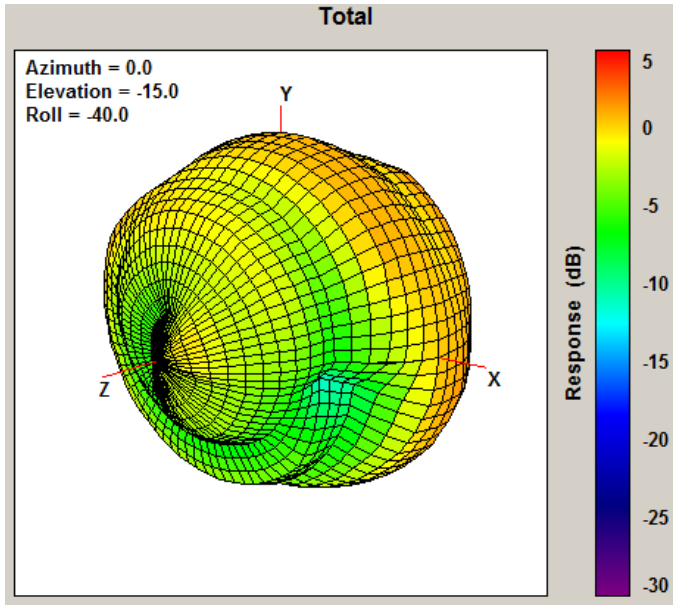
1710MHz



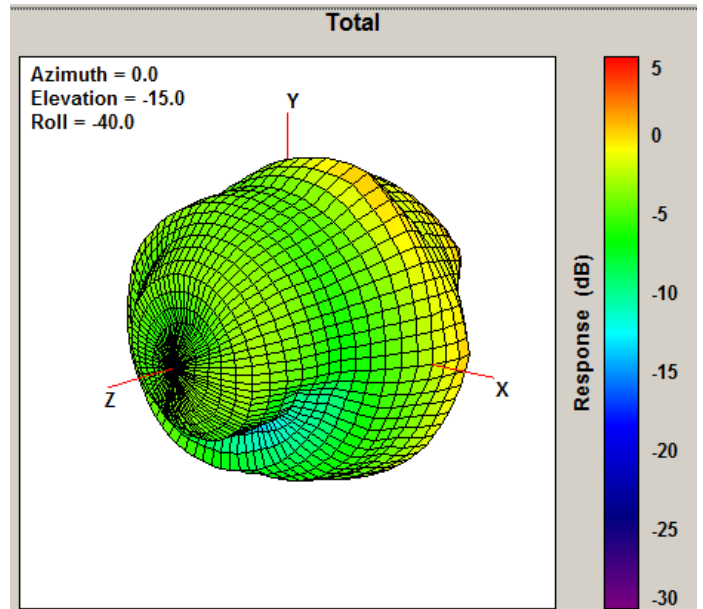
1800MHz



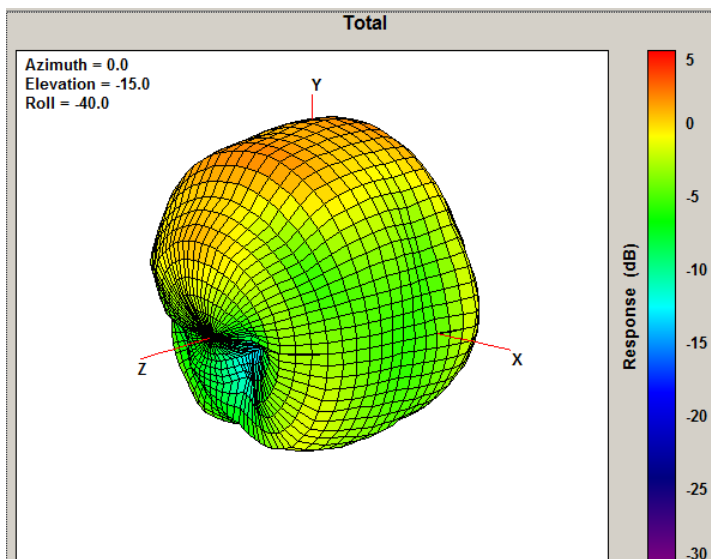
2170MHz



2700MHz



3200MHz



3800MHz

