


# Specification

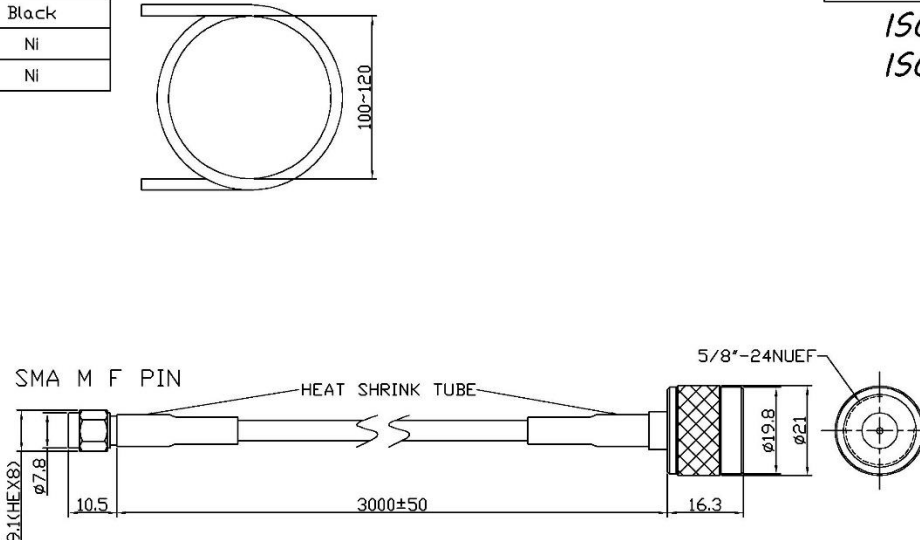
1. Product Type: ADAPTER CABLE
2. Part No: 201-602
3. Frequency: 1~6 GHz
4. Cable: FT200
5. Connector: RP SMA M & N M

**✳️RoHS Compliant**

Cable	FT-200
ØD	ø5.0±0.1mm
Cover	Black
RP SMA M	Ni
N M	Ni



ISO 9001  
ISO 14001



The drawing shows a side view of the adapter cable with the following dimensions and labels: SMA M F PIN (length 10.5), HEAT SHRINK TUBE (length 3000±50), and 5/8"-24NUEF connector (length 16.3, outer diameter ø19.8, inner diameter ø21). A detail view of the SMA M F PIN shows a length of 7.8 and a diameter of ø7.8. A detail view of the 5/8"-24NUEF connector shows a diameter of ø21.

Material:		Treatment:		TRANSVOICE			
Drawer	Design	Approv	Tolerance	Unit:	mm	TITLE	RP SMA M+FT-200+N M
			X=±0.5	Ver:	A	Scale	1:1
			X=±0.2	Model NO	201-602		
			XX=±0.1	File NO:	QR0402	Drawing NO	100-27001-268
			XXX=±0.05				

NO	DESCRIPTION	MATERIAL / FINISH	Q*TY
Part NO			

Frequency (MHz)	VSWR	Return Loss (dB)	Insertion Loss (dB)
1000	1.13	-30.63	-1.20
2000	1.19	-20.91	-1.83
3000	1.21	-20.11	-2.26
4000	1.11	-26.01	-2.73
5000	1.05	-33.42	-3.27
6000	1.05	-30.81	-3.61

### Test Report (Return Loss & VSWR)

