

## Iridium Passive Omnidirectional SATCOM Antenna

### Certified passive Iridium antenna

- Passive Antenna for Iridium terminals
- Well suited for Iridium GO!
- Requires no pointing towards satellite
- Low loss radome
- Mounts on any US-style Mounting Bracket with 1"-14NF threaded stud (not supplied)

Note: Cable loss below 3 dB is recommended

Iridium GO! - see "Ordering Information" below for prepackaged antenna kit



[Link to: Iridium Product Page](#)

Electrical Specifications:	
Frequency	1616 - 1626.5 MHz (L-band)
Impedance	50 ohm
VSWR	< 1.5
Satellite System	Iridium
Polarisation	RHCP
Axial ratio	< 6 dB
Gain	2 dBic

Mechanical Specifications:	
Color	White (non-glossy)
Height	150 mm (191.5 mm mounting base included)
Diameter	Ø 95 mm
Mounting	On any US-style Mounting Bracket with 1"-14NF threaded stud (not supplied)



Mounting place	On marine vessel or landbased vehicle
Materials	ASA, copper, PCB, stainless steel and brass
Operating temperature	-40C to +85C
Connector	N-female
Cable	No cables supplied

Ordering information:

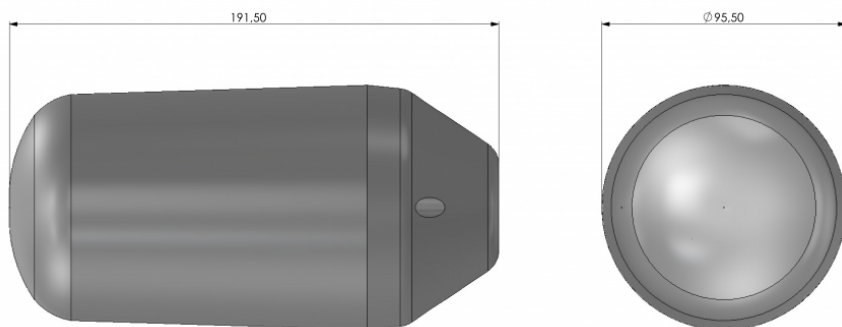
P/N	65000-001 (Antenna only - in polybag)
P/N	65000-013 (Kit for Iridium GO! (Antenna + Adapter Cable + 5 m cable) - in hardbox)
P/N	65000-023 (Kit for Iridium GO! (Antenna + Adapter Cable + 8 m cable) - in hardbox)
P/N	65000-033 (Complete kit for Iridium GO! (Antenna + Adapter Cable + 10 m cable + 10000-020 Deck Mount) - in hardbox)
P/N	65000-043 (Complete kit for Iridium GO! (Antenna + Adapter Cable + 10 m cable + 10000-123 Pole Mount) - in hardbox)
P/N	65000-053 (Kit for Iridium GO! (Antenna + Adapter Cable + 10000-111 Rail Mount) - in hardbox)
P/N	65000-063 (Complete kit for Iridium GO! (Antenna + Adapter Cable + 12 m cable + 10000-123 Pole Mount) - in hardbox)
P/N	65000-073 (Complete kit for Iridium GO! (Antenna + Adapter Cable + 12 m cable + 10000-020 Deck Mount) - in hardbox)
P/N	91006-011 (Adapter Cable for Iridium GO! (150 mm + TNC(f) - in polybag)
P/N	91003-010 (Cable 5 m LTR195 N(m) + TNC(m) - bulk packing)
P/N	91003-020 (Cable 8 m LTR240 N(m) + TNC(m) - bulk packing)
P/N	91003-030 (Cable 10 m LTR400 N(m) + TNC(m) - bulk packing)
P/N	91003-040 (Cable 15 m LTR400 N(m) + TNC(m) - bulk packing)

Packaging Information:

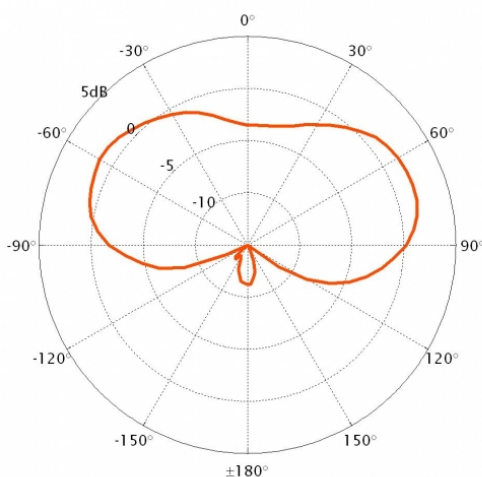
Type	Polybag or hardbox (See "Part No.")
------	-------------------------------------



Outline Drawing



65000-000 Radiation pattern



65000-000 VSWR

