

BASE008 A/B

Unity Gain Omni Base Station Antenna for 850 MHz band

This meticulously constructed base station antenna with integrated multipurpose mounting bracket comes with a generous bandwidth which reduces the need for multiple antennas both in stock and on installation sites.

- High power antenna design
- No groundplane needed

Electrical Specifications:

Frequency	790 - 862 MHz, 872 - 960 MHz (A/B)
Bandwidth	A: 72 MHz, B: 88 MHz
Antenna Type	Half Wave Dipole
Impedance	50 ohm
VSWR	< 1.5:1
Polarisation	Vertical
Gain	0 dBd, 2.1 dBi
Radiation Pattern	Omni Directional (Horizontal)
Half Power Beamwidth	78°
Electrical Beam-tilt	0°
Max. Input Power	100 W
Antistatic Protection	Direct Ground

Mechanical Specifications:

Color	White, Black and Orange
Length	See Outline Drawing
Weight	Max. 0.89 kg
Mount type	Fixed Tube Mounting Bracket
Mounting place	On vertical or horizontal mast tube (Ø 30 - 60 mm)
Materials	Brass, Copper, Fibreglass and Aluminium
Survival Wind Speed	55 m/s
Operating temperature	-55C to +70C (IEC 60068-2-1, IEC 60068-2-2)
Connector	N-female



Ingress Protection	IP66
Vibration	IEC 60068-2-6, IEC 60068-2-64
Serial no.	On product label

Ordering information:

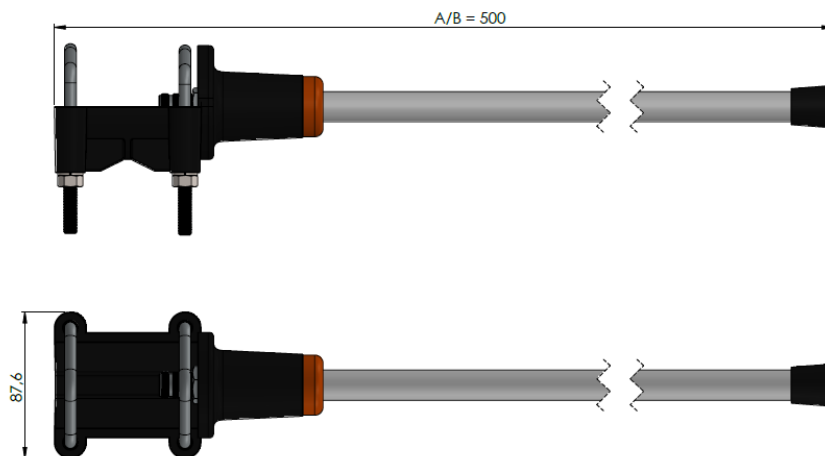
P/N	23008-000A: 790-862 MHz (Bulk packing)
P/N	23008-000B: 872-960 MHz (Bulk packing)
P/N	23008-001A/B (Individually packing in Polybag)
P/N	23008-004A/B (Individually packing in Carton tube)

Packaging Information:

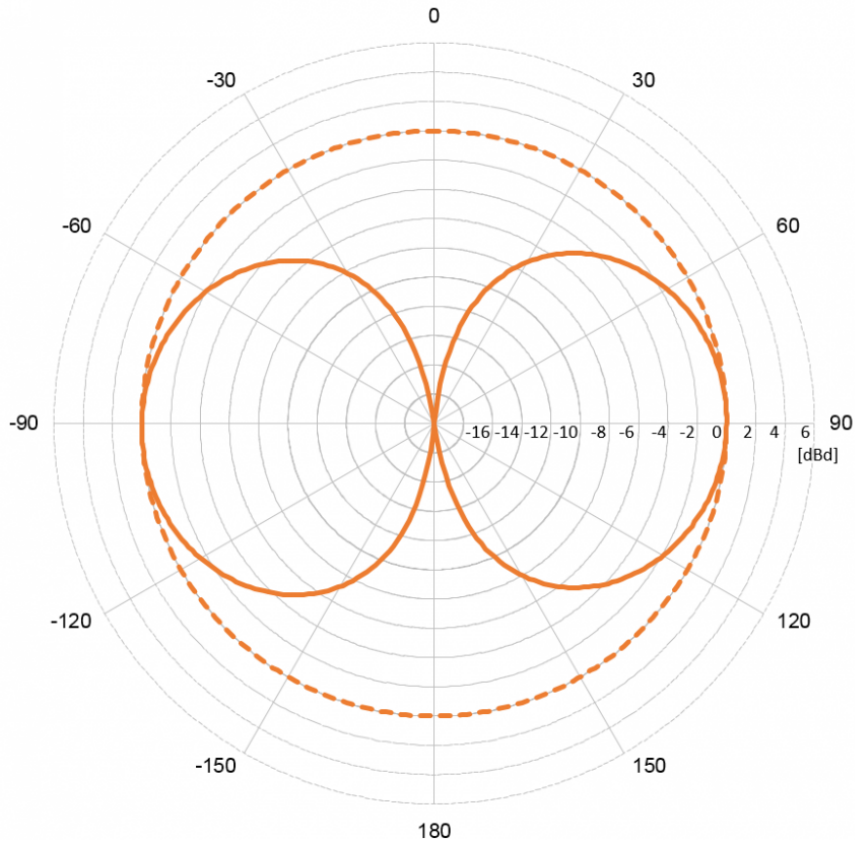
Type	See "Part No."
------	----------------



Outline Drawing



Radiation Pattern



Typical VSWR

