

Adaptor Kit - SAB-315

- Converts BS[G]M range to fit standard 1"-14TPI marine mounts.
- Manufactured using marine grade materials.

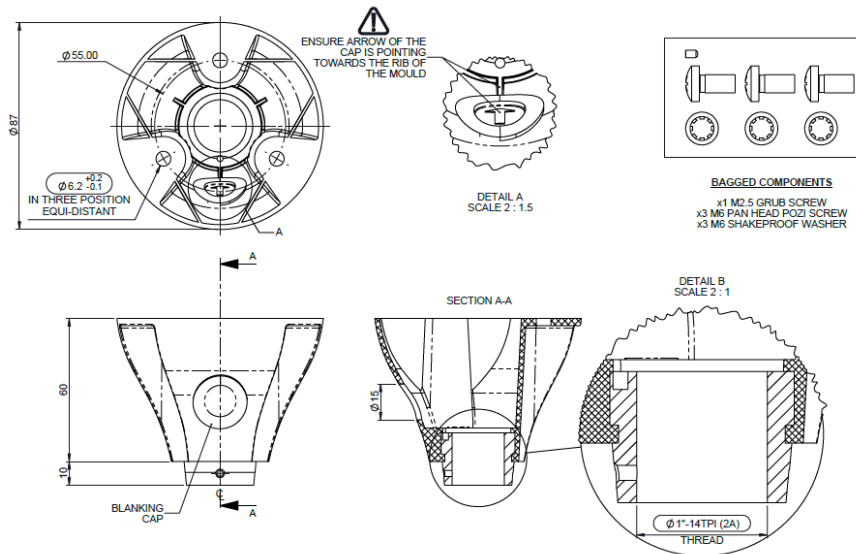
SAB-315 is an adaptor kit, to enable the BS[G]M range of omnidirectional antennas to be fitted to any standard 1"-14TPI marine mount, including Panorama Antennas NDRS-SL ratchet mount.

Robust design with weather-proof ASA plastic and marine-grade stainless steel, the SAB-315 adaptor is made to withstand the rigours of a marine environment.

Cable routing options are available to suit different types of mounts. The cables can route straight through the 1"-14TPI mounting bush for deck mounting or through the side exit hole for ratchet, mast or rail mounts.

Technical Drawing

SAB-315



Product Data

Part No.

SAB-315

Mechanical Data

Diameter (mm)	87 (3.42")
Height (mm)	70 (2.75")
Antenna interface	3x M6 pan head posi drive screws
Mount Interface	1"-14TPI (2A)
Locking Screw	2.5mm (0.1") socket set grub screw
Materials	Stainless Steel / ASA
Colour	White / natural

Supported Connector Feed Through

SMA

(Other connectors may need to be fitted or adapters used after mounting)