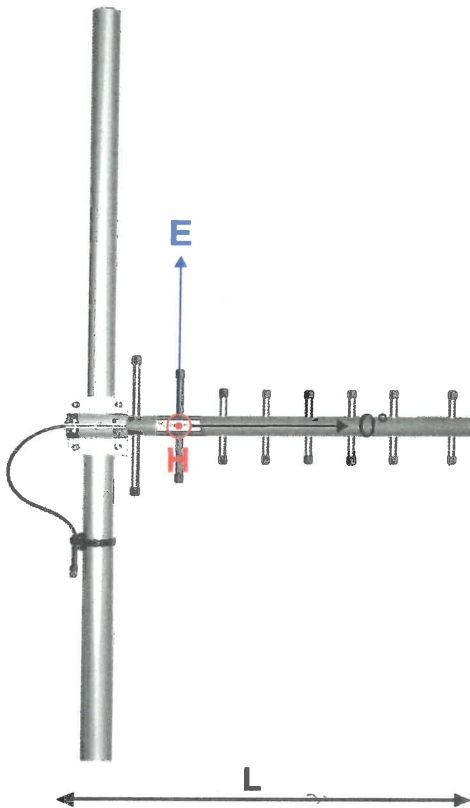


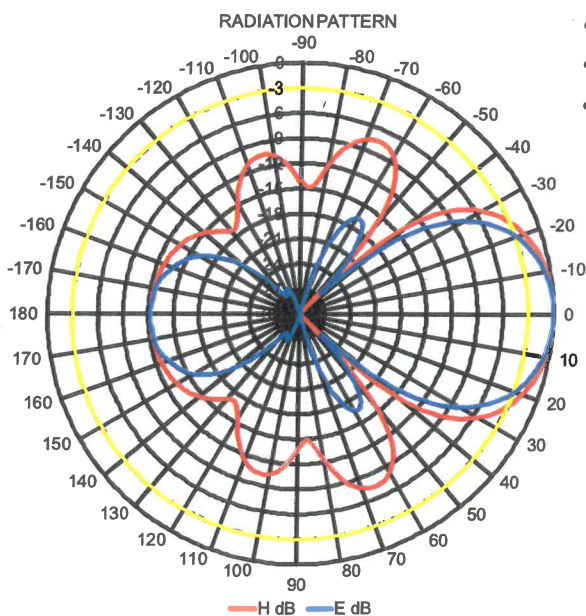
# ComAnt<sup>®</sup> Communications Antennas

## FREQUENCY INDEPENDENT DATA



Description:	directional yagi
Frequency:	326-353 MHz, 336-364 MHz 365-395 MHz, 380-410 MHz 405-440 MHz, 440-475 MHz, 830-890 MHz, 880-960 MHz
Impedance:	50 ohm
Gain:	11 dBi
H -3 dB:	48°
E -3 dB:	41°
F/B:	12 dB
Polarization:	vertical/horizontal
Connector:	N-female/TNC-female
VSWR:	< 1.5
Radome:	UV resistant ABS/FG, RAL 7012, PU foam filling copper
Radiator:	
Passive elements:	coated aluminium
Attachment:	Ø 35-60 mm, aluminium alloy bracket, stainless steel V- bolts and self-locking nuts
Lightning protection:	DC-short circuited
Temperature:	-40°C - +80°C
IP:	67

- combination of durability, light weight and low wind load
- radome enclosed radiator
- IP67 proof construction
- all electromechanics moulded inside of closed cell PU foam
- DC shorted feed point
- integrated impedance compensation
- integrated RF choke



**RoHS**  
Compliant

**CompleTech**  
ComAnt<sup>®</sup> -antennas by CompleTech, Finland

**CAY+++ DIRECTIONAL YAGI**

208-532