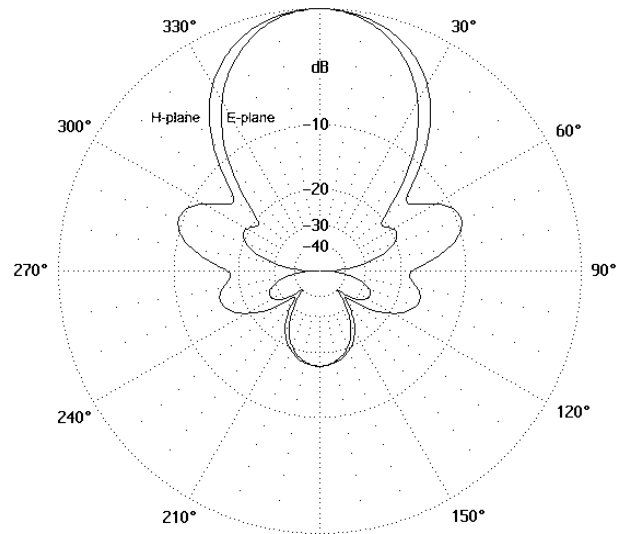
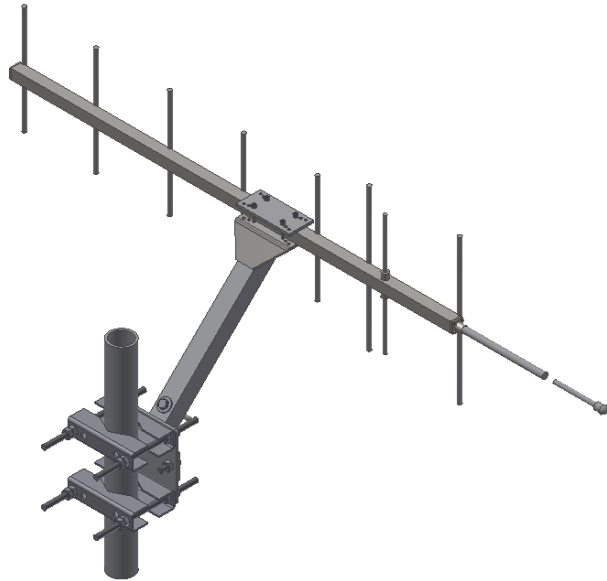



ATEX APPROVED YAGI ANTENNA AV1468-EXnA-...FN2



Type	AV1468-EXnA-...FN2
Frequency	AV1468-420 : 400...440 MHz
Bandwidth	AV1468-420 : 40 MHz
Impedance	50 Ω DC grounded
VSWR	1,5 typical
Polarisation	Horizontal or Vertical
Gain	10 dBi nominal in free space *) For other mounting configurations please contact Aerial Oy.
E-plane 3 dB beamwidth	44°
H-plane 3 dB beamwidth	56°
Electrical downtilt	None
Front to back ratio	15 dB
Max. Continuous power	In non-ATEX environment: -500W CW, limited by input connector In ATEX environment: -Group IIC: 2,0W (33,0dBm) -Group IIB: 3,5W (35,4dBm) -Group IIA: 6,0W (37,7dBm) -All three EIRP-power values
RF-connector	N-female on a 1000mm fixed jumper
Operational windspeed	40 m/s (default)
Survival windspeed	55 m/s (default)
Effective wind area (A_{eff})	0,1 m ²
Dimensions (H x W x D) (\varnothing x H)	400 x 50 x 1200 mm antenna only, with outrigger 550 x 365 x 1120mm
Weight	3 kg antenna only, add 5,8 kg for standard mounting kit AETM160-6-A4 and outrigger
Mounting diameter	\varnothing 30...115 mm pipe standard mounting kit AETM160-6-A2
Materials	AISI304 AISI316 Glass reinforced PE
Options	Mounting kit and colour
Atex marking	 II 3G, Ex nA IIA/IIB/IIC T6 Gc
Ambient temperature	-45 °C \leq Tamb \leq +60 °C (Class T6)

*) Limited and/or controlled when used in ATEX-environment. See related EC DECLARATION OF CONFORMITY ATEX Directive 94/9/EC, TYPE EXAMINATION CERTIFICATE, installation instruction and their attachments for more details, information and before installation and assembly.