

## *Specification*

*1. Product Type: 4G/LTE Antenna*

*2. Part No.: 208-997*

*3. Frequency: 690~2700 MHz*

*4. VSWR: 2.5:1*

*5. Cable: RG316/U*

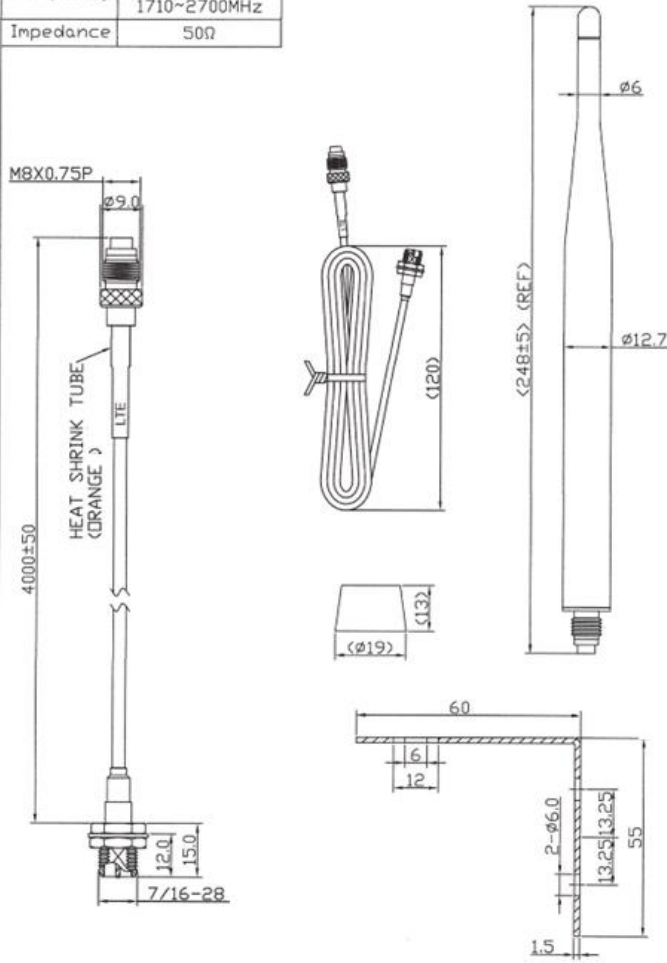
*6. Connector: FME F*

*✧RoHS Compliant*

|           |                            |
|-----------|----------------------------|
| Cable     | RG316/U                    |
| OD        | ø2.7±0.2mm                 |
| Cover     | Black                      |
| FME F     | Ni                         |
| Frequency | 690~960MHz<br>1710~2700MHz |
| Impedance | 50Ω                        |

**ROHS**

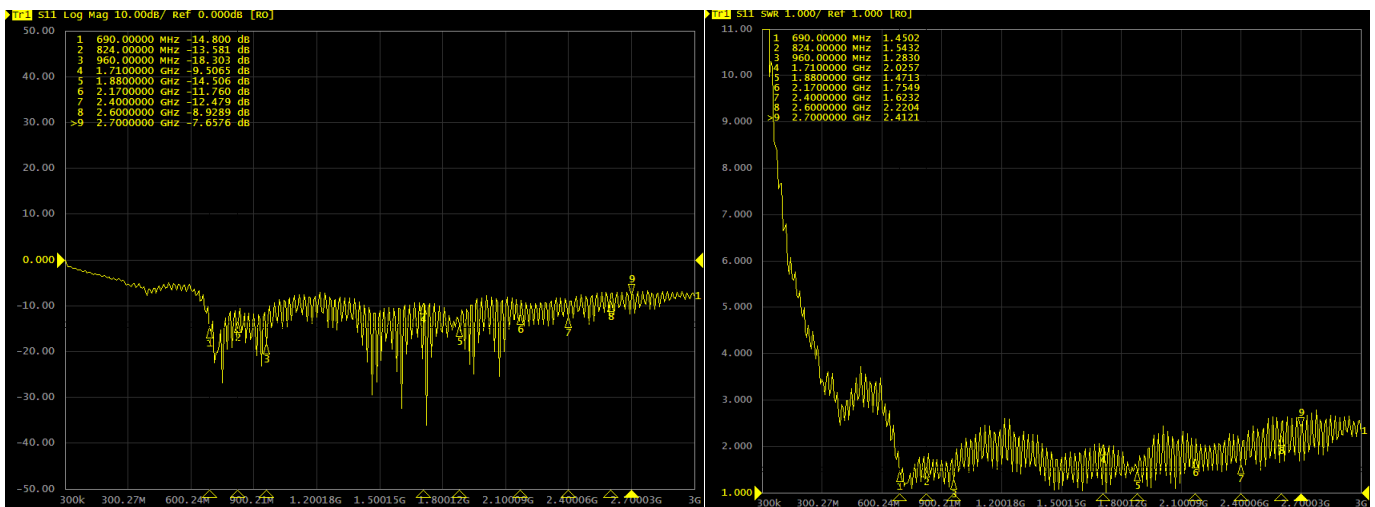
ISO 9001  
ISO 14001



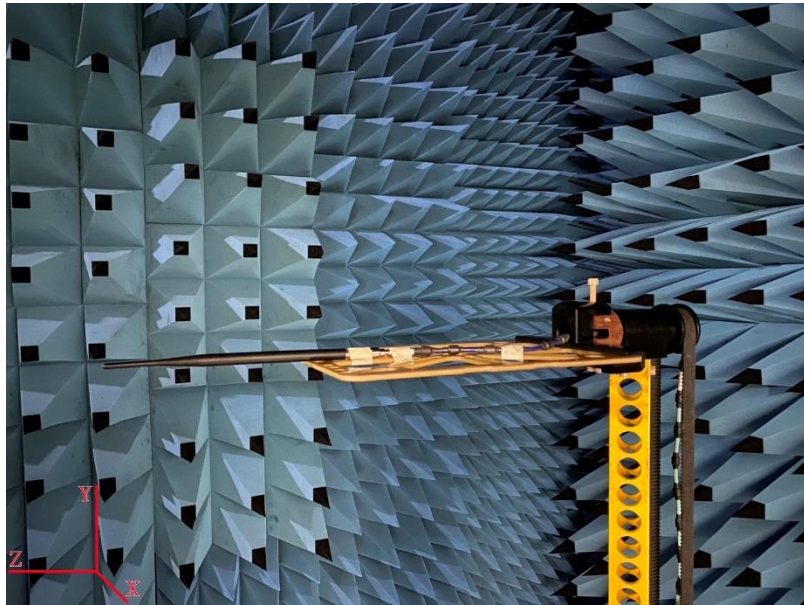
|           |        |            |  |            |        |            |                |
|-----------|--------|------------|--|------------|--------|------------|----------------|
| Material: |        | Treatment: |  | TRANSVOICE |        |            |                |
| Drawer    | Design | Aprov      | Tolerance                                | Unit:      | mm     | TITLE      | 208-997        |
| 6.14      |        | 6.14       | X=±0.5<br>X=±0.2<br>XX=±0.1<br>XXX=±0.05 | Veri:      | A      | Scale 1:1  | Part NO        |
|           |        |            |  | File NO:   | QR0402 | Drawing NO | 100-27001-0234 |

| Frequency (MHz) | Return Loss (dB) | VSWR | Efficiency (%) | Gain (dBi) |
|-----------------|------------------|------|----------------|------------|
| 690             | -14.80           | 1.45 | 51.88          | -0.88      |
| 824             | -13.58           | 1.54 | 35.65          | -1.82      |
| 960             | -18.30           | 1.28 | 50.12          | 1.13       |
| 1710            | -9.50            | 2.02 | 29.99          | -1.56      |
| 1880            | -14.50           | 1.47 | 44.67          | 0.38       |
| 2170            | -11.76           | 1.75 | 45.29          | -0.97      |
| 2400            | -12.47           | 1.62 | 52             | 2.23       |
| 2600            | -8.92            | 2.22 | 41.69          | 2.55       |
| 2700            | -7.65            | 2.41 | 39.36          | 2.08       |

Test Data (Return Loss & VSWR) *Antenna is tested with FME cable.*

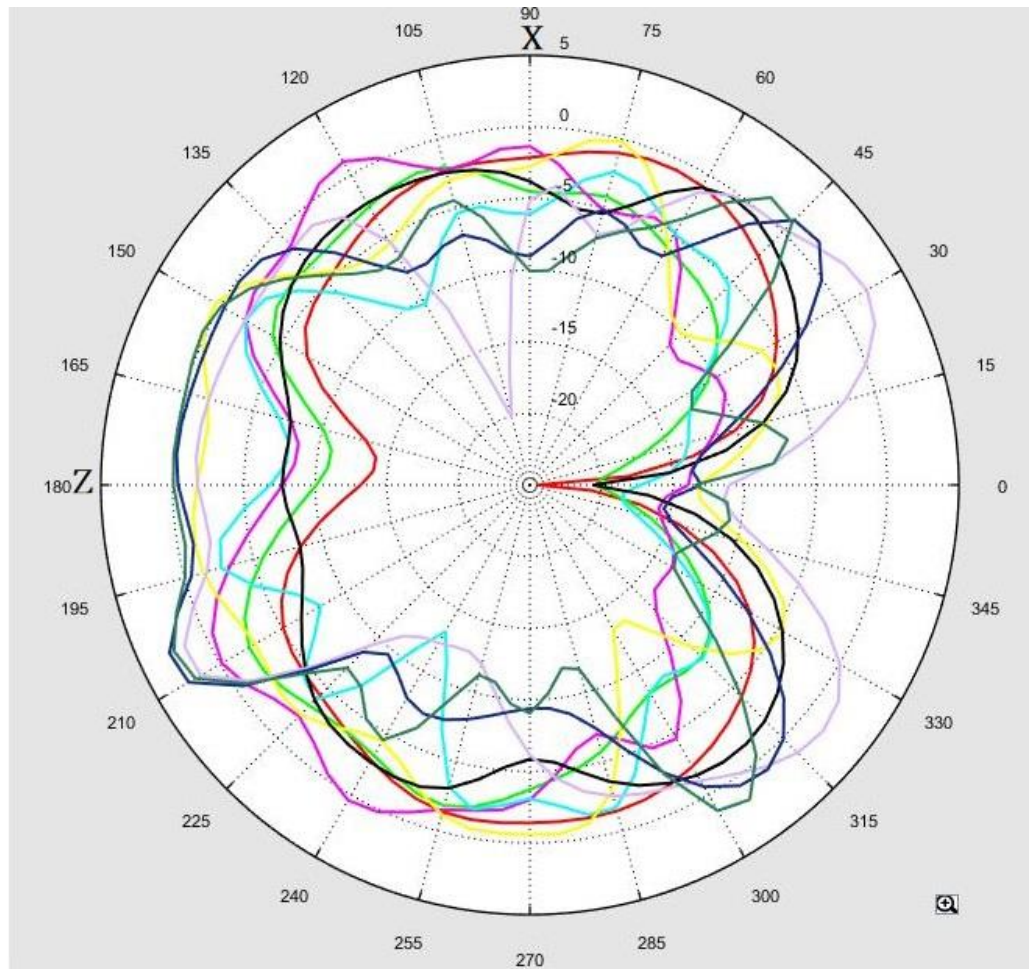


### 3D Test Photo

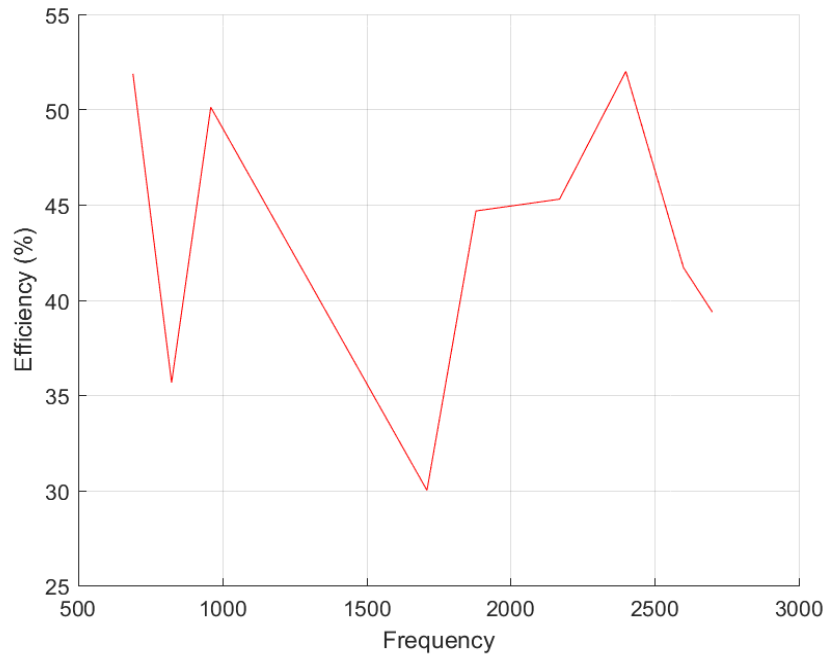


### 3D Test Data

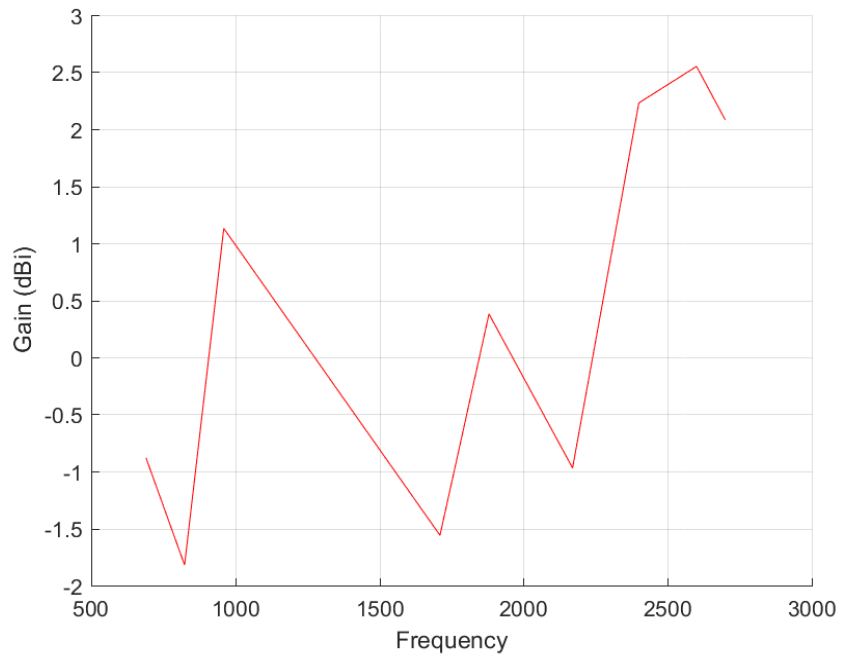
| Freq. / Chan. | Color      |
|---------------|------------|
| 690MHz        | Red        |
| 824MHz        | Green      |
| 960MHz        | Magenta    |
| 1.71GHz       | Cyan       |
| 1.88GHz       | Yellow     |
| 2.17GHz       | Black      |
| 2.4GHz        | Purple     |
| 2.6GHz        | Dark Blue  |
| 2.7GHz        | Dark Green |



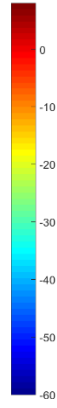
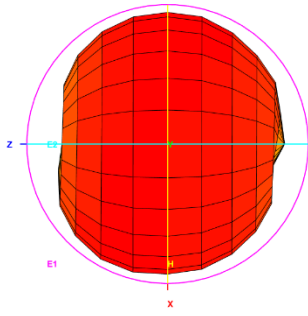
Total\_Efficiency (%)



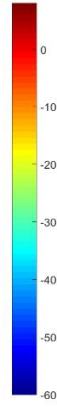
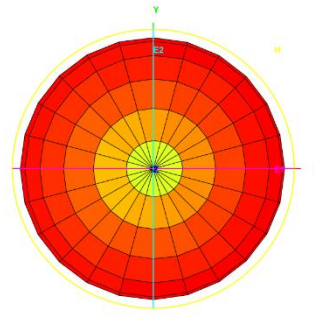
Total\_Gain (dBi)



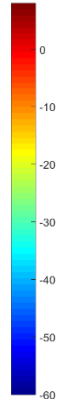
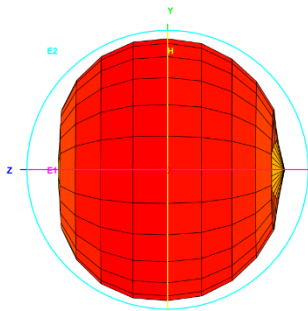
Total\_3D\_Top View\_690MHz



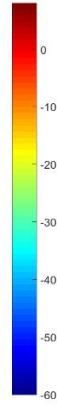
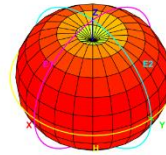
Total\_3D\_Front View\_690MHz



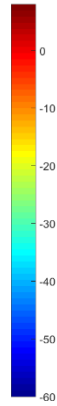
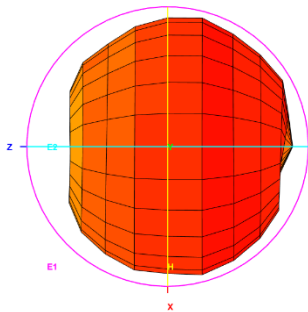
Total\_3D\_Left View\_690MHz



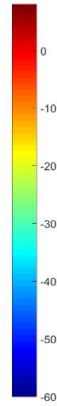
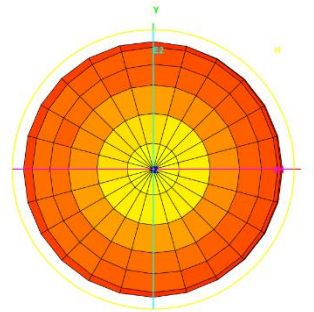
Total\_3D\_Side View 1\_690MHz



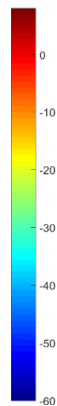
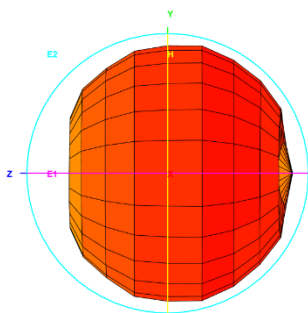
Total\_3D\_Top View\_824MHz



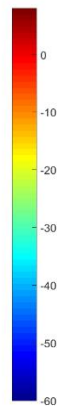
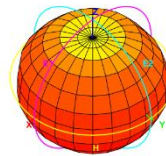
Total\_3D\_Front View\_824MHz



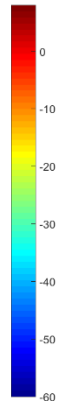
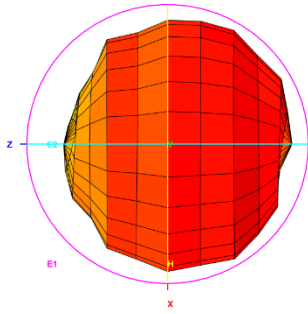
Total\_3D\_Left View\_824MHz



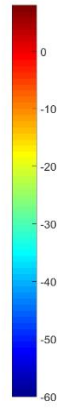
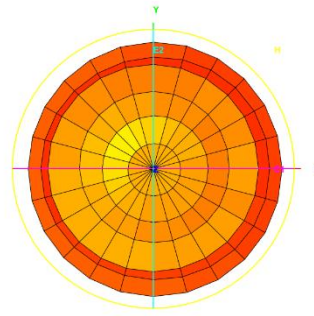
Total\_3D\_Side View 1\_824MHz



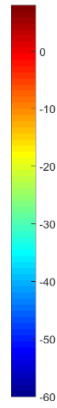
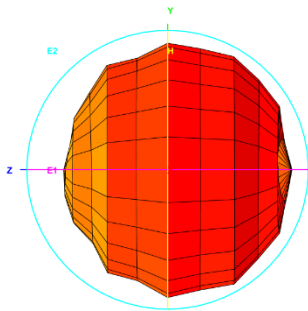
Total\_3D\_Top View\_960MHz



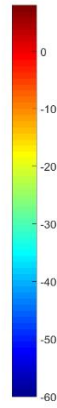
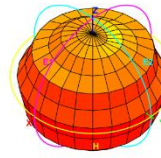
Total\_3D\_Front View\_960MHz



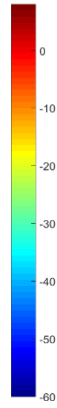
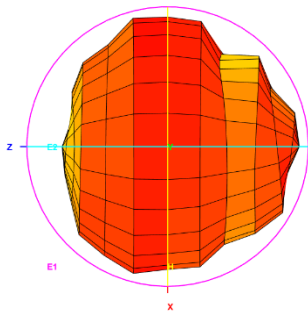
Total\_3D\_Left View\_960MHz



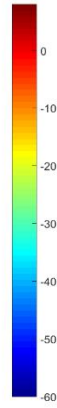
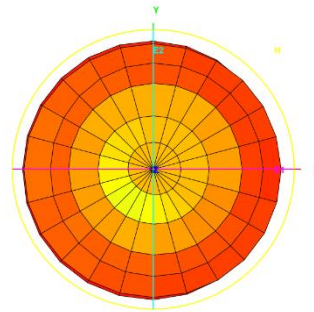
Total\_3D\_Side View\_1\_960MHz



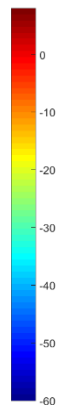
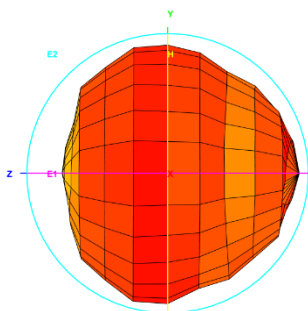
Total\_3D\_Top View\_1.71GHz



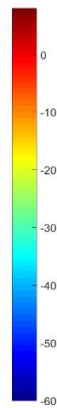
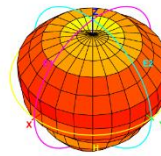
Total\_3D\_Front View\_1.71GHz



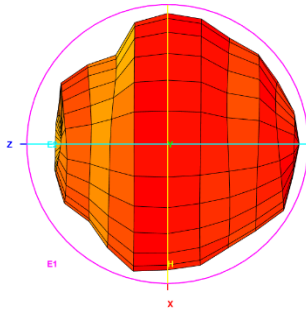
Total\_3D\_Left View\_1.71GHz



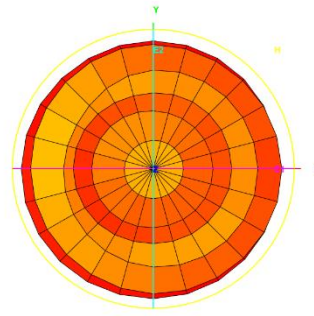
Total\_3D\_Side View\_1\_1.71GHz



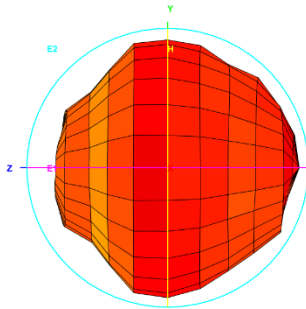
Total\_3D\_Top View\_1.88GHz



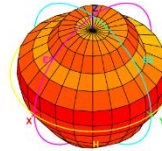
Total\_3D\_Front View\_1.88GHz



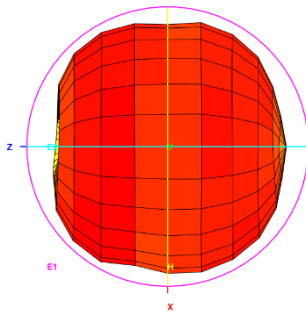
Total\_3D\_Left View\_1.88GHz



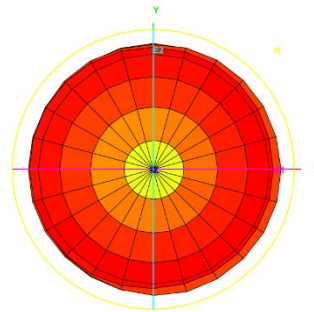
Total\_3D\_Side View\_1.88GHz



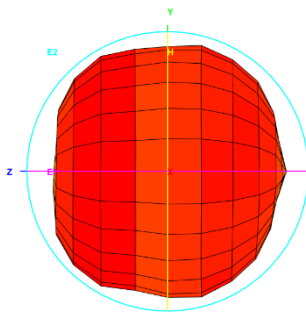
Total\_3D\_Top View\_2.17GHz



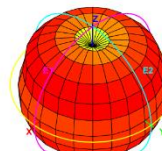
Total\_3D\_Front View\_2.17GHz



Total\_3D\_Left View\_2.17GHz

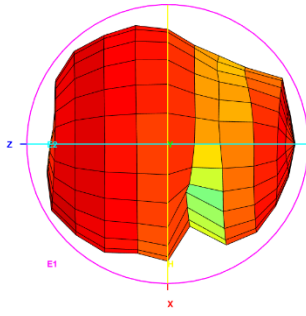


Total\_3D\_Side View\_1\_2.17GHz

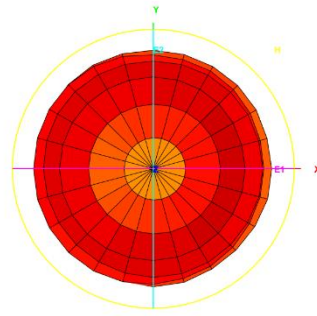




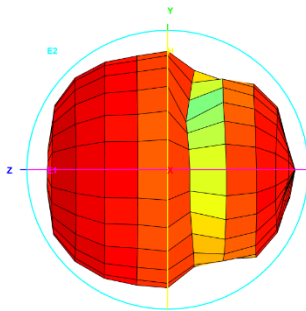
Total\_3D\_Top View\_2.4GHz



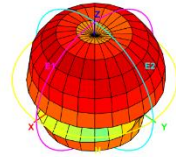
Total\_3D\_Front View\_2.4GHz



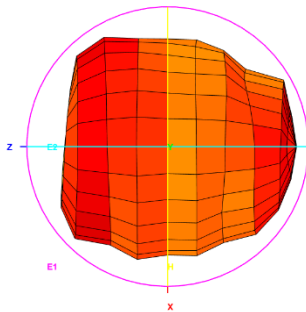
Total\_3D\_Left View\_2.4GHz



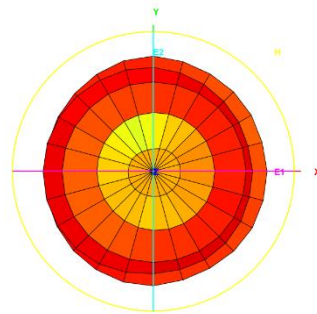
Total\_3D\_Side View 1\_2.4GHz



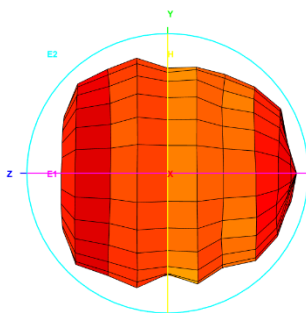
Total\_3D\_Top View\_2.6GHz



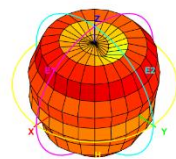
Total\_3D\_Front View\_2.6GHz



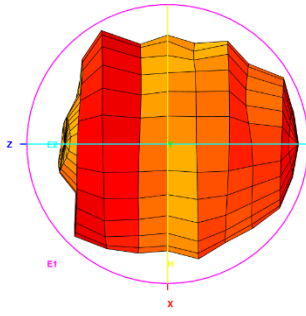
Total\_3D\_Left View\_2.6GHz



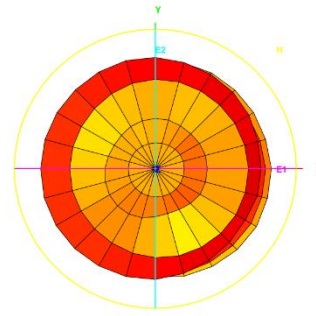
Total\_3D\_Side View 1\_2.6GHz



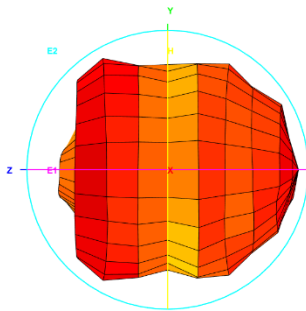
Total\_3D\_Top View\_2.7GHz



Total\_3D\_Front View\_2.7GHz



Total\_3D\_Left View\_2.7GHz



Total\_3D\_Side View 1\_2.7GHz

