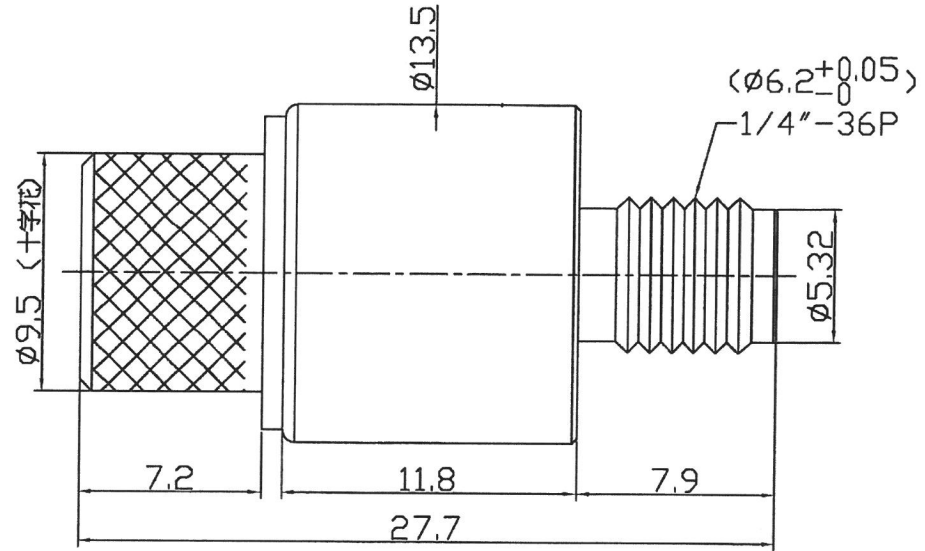
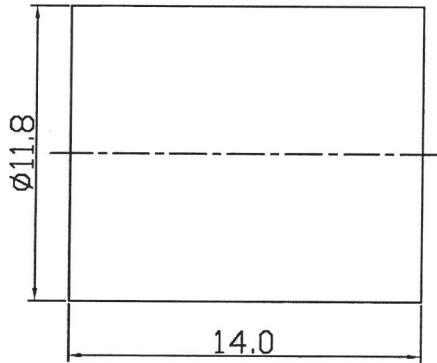
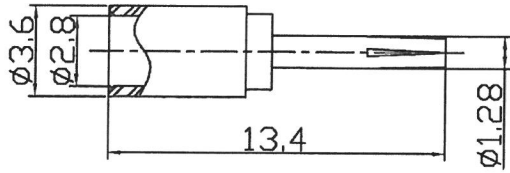


# ROHS

ISO 9001  
ISO 14001



Material:		Treatment:					
Drawer	Design	Aprov	Tolerance	Unit: mm		TITLE	SMA F CFD400
			X=±0.5	Ver: A	Scale 4:1	Model NO	
			.X=±0.2	File NO: QR0402	Drawing NO	602-052-003-103	
			.XX=±0.1				
			.XXX=±0.05				

Part NO CR-SMAFCFD400-455A/B/D