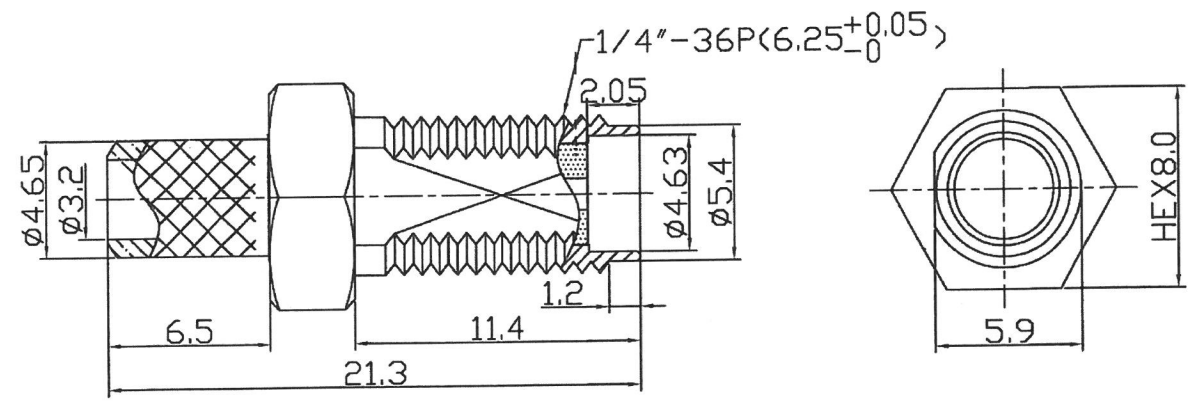
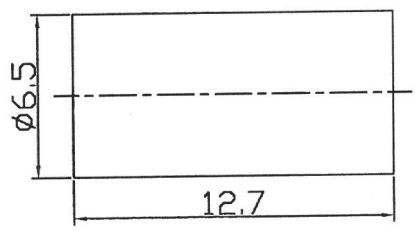
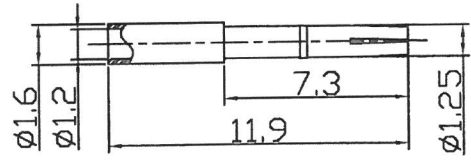


**ROHS**

ISO 9001  
ISO 14001



Material:			Treatment:				
Drawer	Design	Aprov	Tolerance	Unit: mm		TITLE	SMA F(BH)CDF 200
			X=±0.5	Ver: A	Scale 4:1	Model NO	
			X=±0.2	File NO: QR0402	Drawing NO	602-014-106	
			XX=±0.1				
			XXX=±0.05				

Part NO CR-SMAFCFD200-005A/B/D