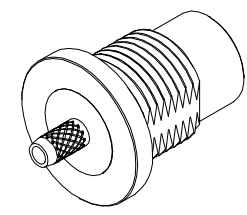
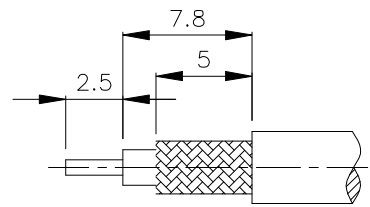
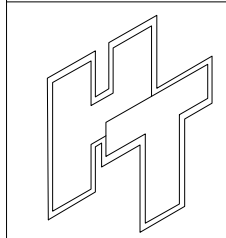
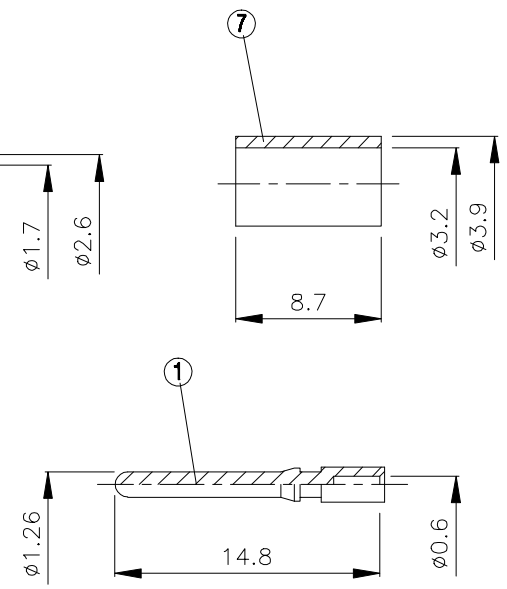
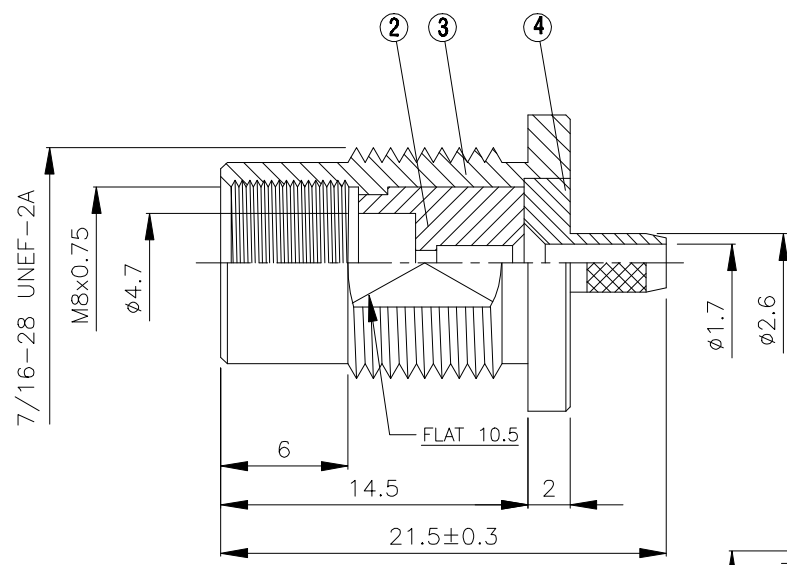
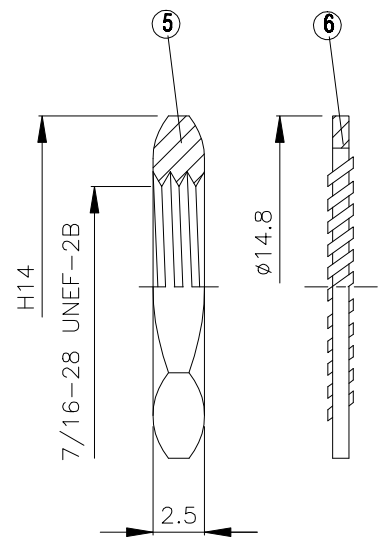


NO	DESCRIPTION	MATERIAL	Q'TY	FINISH	REMARK
1	PIN	BRASS	1	GOLD	P-FME0005-G
2	INSULATION	TEFLON	1	TEFLON	I-0500T
3	BODY 1	BRASS	1	NICKEL	B-FME0416-N
4	BODY 2	BRASS	1	NICKEL	B-FME0417-N
5	NUT	BRASS	1	NICKEL	N-0017-N
6	WASHER	BRASS	1	NICKEL	W-0028-N
7	RING	BRASS	1	NICKEL	R-0030-N



(Recommended Stripping Dimension)



HUS-TSAN GROUP CO., LTD.
P.O. BOX 40-76. TAINAN. TAIWAN, R.O.C.
TITLE FME MALE CRIMP FOR RG 316/U
PART NO. FME-32LV1-TGN
DRAWING NO. FME 32LV1 TGN

DRAWN MARY	DATE 91.12.25
CHECKED 蘇姿潔	DATE
Q.A. 馮健華	DATE
APPROVAL 徐燦霖	DATE
REVISION	DATE

DIMENSIONS ARE IN MILLIMETERS			
UNLESS OTHERWISE SPECIFIED TOLERANCE			
0.5-5=±0.2	120-315=±1		
5-30=±0.4	315-1000=±1.6		
30-120±0.6	1000-2000=±2.4		
SCALE 4:1	SIZE A		

REVISION	
DESCRIPTION	ENGINEER

4

3

2

1

D

D

C

C

B

B

A

A