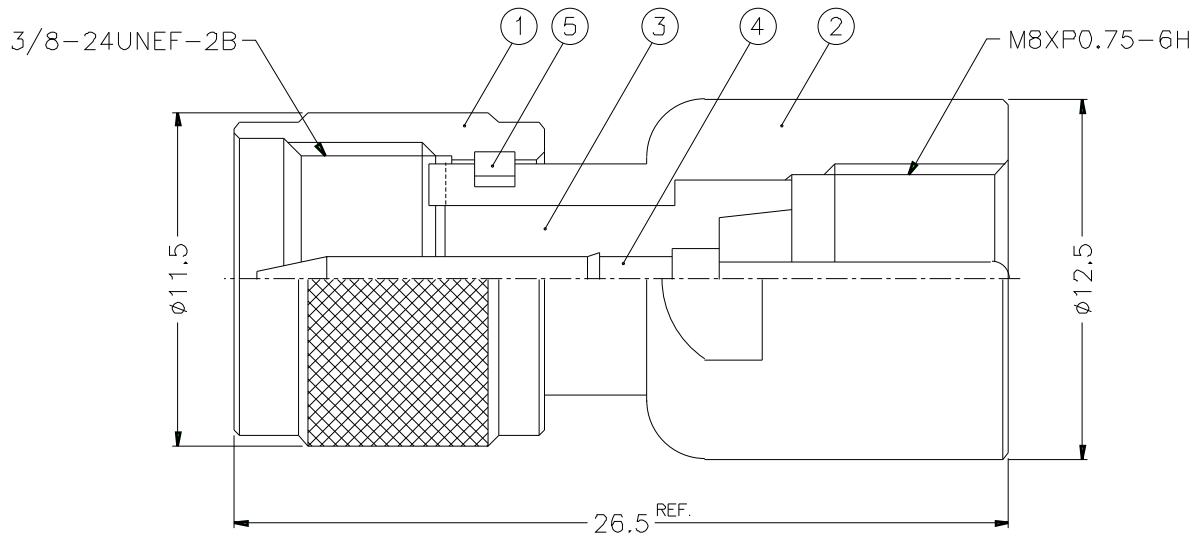


		1		2		3		4		5		6		7		8	
REVISIONS																	
ISS	ZONE	DESCRIPTION\PER REQUEST\DATE															



NOTES: FINISH (PLATING THICKNESS IN MICRO-INCHES)
 1. BRASS PER QQ-B-626
 2. NICKEL PL. 100 MIN. THICK OVER COPPER STRIKE
 3. GOLD PL. 3 MIN. THICK OVER NICKEL PL. 100 MIN. THICK OVER COPPER STRIKE

						DIMENSIONS ARE IN MILLIMETERS				PART NO. FMEM-MUM-ND3G-50		<h1>Amphenol</h1> FME MALE TO MINI-UHF MALE ADAPTOR					
						UNLESS OTHERWISE SPECIFIED TOLERANCES				APPROVED						DATE	
						0.5-6 = ±0.2				CHECKED						DATE	
						6-30 = ±0.4				DRAWN						DATE	
5	RETAINER RING	SUS 304	NATURAL	1	PT-4000-002-6-B	30-120 = ±0.6				FILE NO.							
4	CONTACT PIN	NOTE 1	NOTE 3	1	MU2071A1-4	120-315 = ±1											
3	INSULATOR	DELTRIN	NATURAL	1	MU2071A1-3-C	315-1000 = ±1.6											
2	BODY	NOTE 1	NOTE 2	1	MU2071A1-2-C	1000-2000 = ±2.4											
1	SHELL	NOTE 1	NOTE 2	1	PT-4000-002-1												
NO.	DESCRIPTION	MATERIAL	FINISH	Q'TY	DRAWING NO.	SCALE	4/1	ISSUE	A								

		1		2		3		4		5		6		7		8	
--	--	---	--	---	--	---	--	---	--	---	--	---	--	---	--	---	--