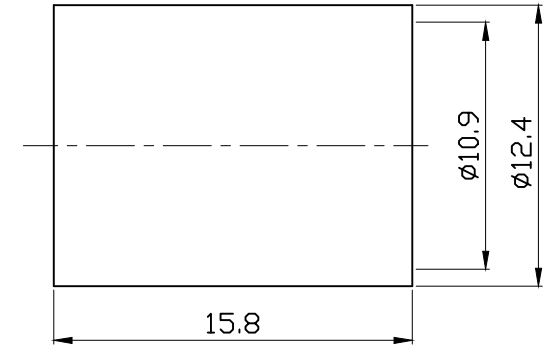
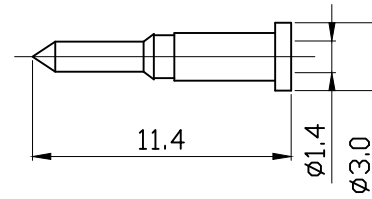
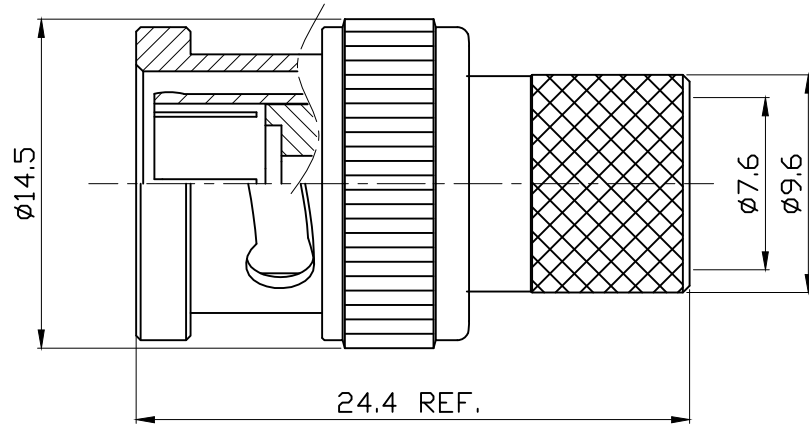


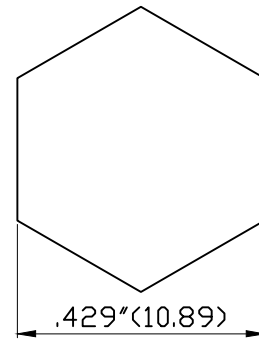
ROHS COMPLIANCE

DATE	DESCRIPTION	REV
16.11.21	NEW RELEASE	NA

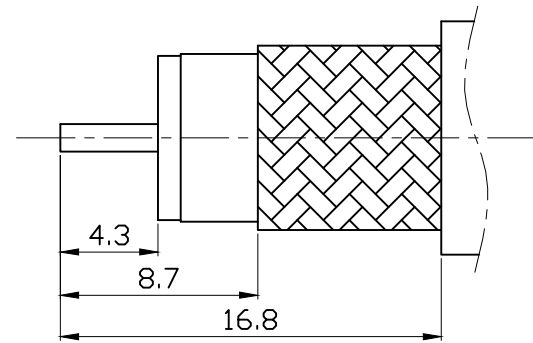


Recommended Crimped Dimensions for Center Pin

$.056(1.42)$



Recommended Crimped Dimensions for Ferrule



Recommended Cable Stripping Dimensions

9	FERRULE	1	BRASS	NICKEL
8	WASHER	1	IRON	NICKEL
7	SPRING	1	SK-5	NICKEL
6	RETAINER RING	1	S50C	NICKEL
5	GASKET	1	PVC	RED
4	SHELL	1	ZINC	NICKEL
3	PIN	1	BRASS	GOLD
2	INSULATOR	1	POM	WHITE
1	BODY	1	BRASS	NICKEL
NO	Description	Q'ty	Material	Finish

Proprietary Note
This document contains information proprietary to WEIJE, which is either copyrighted, or patent applied for, and/or protected by trade secret laws. This document or parts thereof, may not be used, disclosed or reproduced in any method, or for any purpose, without the written permission of WEIJE, Taiwan.

MAJOR DIMENSIONS
UNLESS OTHERWISE NOTED TOLERANCES
<0.5=±0.05
0.5-6=±0.1
6-30=±0.2
30-120=±0.3
ANGLES=±1°

APPROVED BY
Jyun Liang

CHECKED BY
Wong Tih Syong

DRAWING BY
Wong Tih Syong

DATE
2017/06/02

OLD DRAWING NO
CH-7001-E2-75-11U

DRAWING NO
411-021

TITLE
BNC MALE CRIMP FOR RG11U

THIRD ANGLE PROJECTION

REV. NA

DO NOT SCALE DRAWING