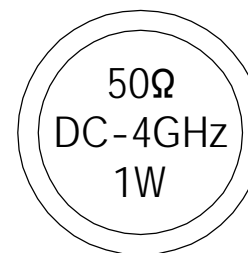
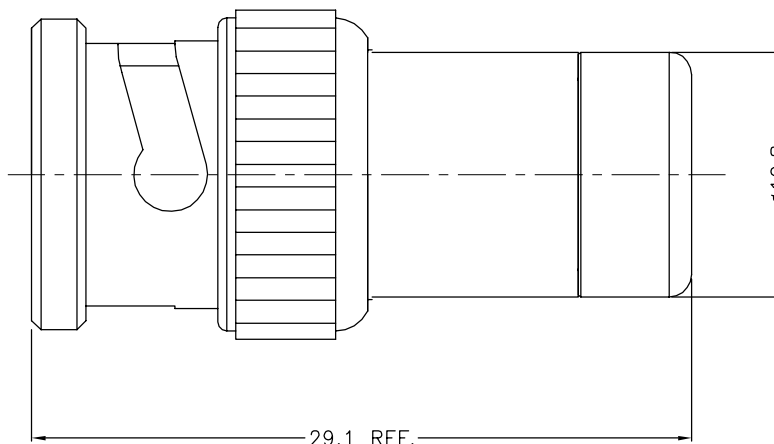
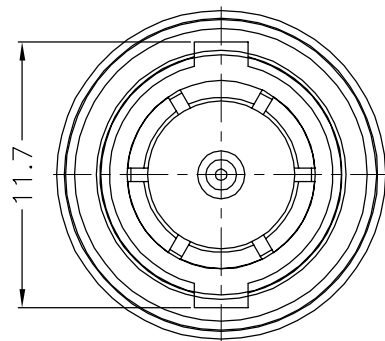


RoHS COMPLIANCE

DATE	EDITOR	DESCRIPTION	REV
19.05.27	LY BJAN	NEW RELEASE	A



NOTES:

- | | |
|------------------------------|---|
| ELECTRIC PERFORMANCE: | FINISH(PLATING THICKNESS IN MICRO-INCHES) |
| 1. IMPEDANCE(Ω): 50 | 1. NICKEL PLATING |
| 2. FREQUENCY RANGE: DC-4GHz | 2. THIN GOLD OVER NICKEL PL. 50 MIN. |
| 3. VSWR: 1.2 | |
| 4. INPUT POWER(DC): 1WATTS | |



11	BODY	1	BRASS	NOTE 1	
10	SPRING	1	SUS304	NATURAL	
9	RESISTOR	1	NONE	NATURAL	
8	PIN	1	BRASS	NOTE 2	
7	WASHER	1	IRON	NATURAL	
6	SPRING	2	SK5	NATURAL	
5	RETAINER RING	1	S50C	NATURAL	
4	GASKET	1	SILICONE	RED	
3	INSULATOR	1	POM	WHITE	
2	BODY	1	BRASS	NOTE 1	
1	SHELL	1	ZINC	NOTE 1	

NO	Description	Q'ty	Material	Finish	Part Number
----	-------------	------	----------	--------	-------------

MAJOR DIMENSIONS UNLESS OTHERWISE NOTED TOLERANCES		APPROVED BY	OLD DRAWING NO	DRAWING NO
$<6 \pm 0.2$ $6-30 \pm 0.4$ $30-120 \pm 0.6$ $120-315 \pm 0.8$ $315-1000 \pm 1.0$ $1000-2000 \pm 1.2$ ANGLES $\pm 5^\circ$		CHECKED BY <i>LY BJAN</i>	THIRD ANGLE PROJECTION	411-206
		DRAWING BY <i>LY BJAN</i>		TITLE BNC PLUG DUMMY LOAD
		SCALE 4:1 UNIT MM	DATE 2019/10/01	

DO NOT SCALE DRAWING