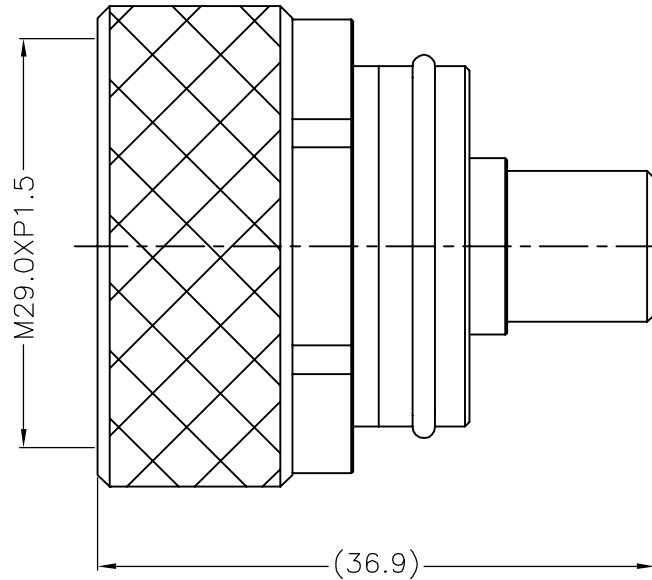
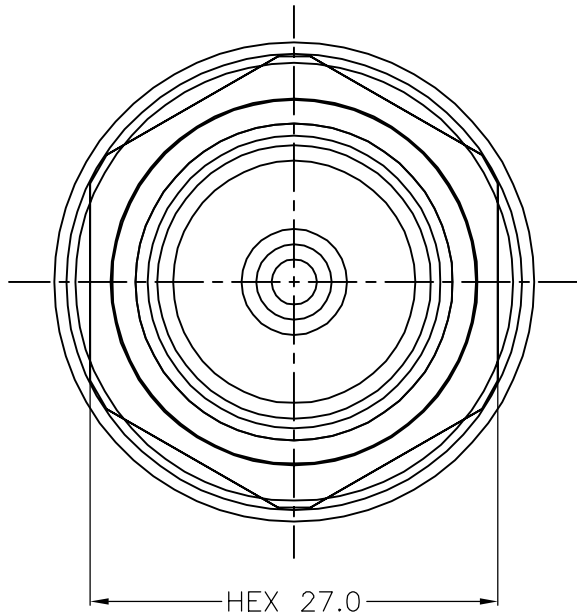


RoHS COMPLIANCE

DATE	EDITOR	DESCRIPTION	REV
19.05.27	LF C.F.A.N	NEW RELEASE	A



NOTES:

ELECTRIC PERFORMANCE:

1. IMPEDANCE(Ω): 50
2. FREQUENCY RANGE: DC-8GHz
3. VSWR: 1.2
4. INPUT POWER(DC): 1WATT

FINISH(PLATING THICKNESS IN MICRO-INCHES)

1. TRI-ALLOY PLATING
2. BARREL NICKEL PL. 100 MIN. THICK OVER COPPER PL. 50 MIN. THICK
3. RACK NICKEL PLATING

ENVIRONMENT:

1. INGRESS PROTECTION RATING: IPX7

10	O-RING	1	NBR	BLACK
9	SPRING	1	SUS304	NATURAL
8	RESISTOR	1	NONE	NATURAL
7	CONTACT	1	BRASS	NOTE 1
6	BODY II	1	BRASS	NOTE 2
5	O-RING	1	NBR	BLACK
4	INSULATOR	1	PTFE	WHITE
3	BODY	1	BRASS	NOTE 3
2	O-RING	1	SILICONE	RED
1	SHELL	1	BRASS	NOTE 1



DO NOT SCALE DRAWING

MAJOR DIMENSIONS UNLESS OTHERWISE NOTED TOLERANCES <math>6=± 0.2 <math>6-30=± 0.4 <math>30-120=± 0.6 <math>120-315=± 0.8 <math>315-1000=± 1.0 <math>1000-2000=± 1.2 ANGLES=$\pm 5^\circ$	APPROVED BY Ken	OLD DRAWING NO	DRAWING NO 412-705
	CHECKED BY Ken	THIRD ANGLE PROJECTION	TITLE 7/16 PLUG DUMMY LOAD
	DRAWING BY LF C.F.A.N		
SCALE 2:1 UNIT MM	DATE 2019/06/06	REV. A	