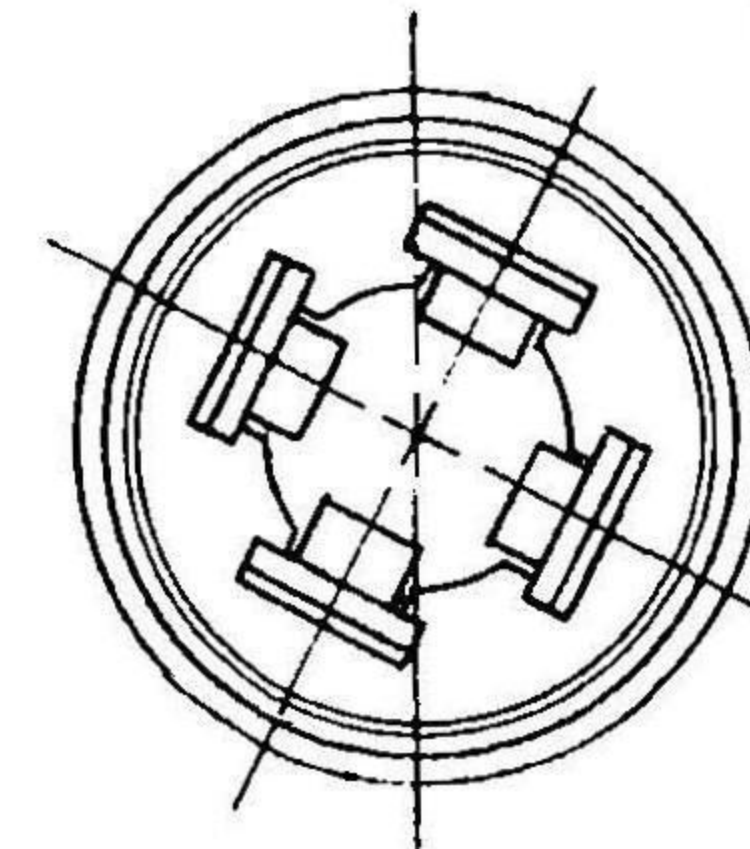
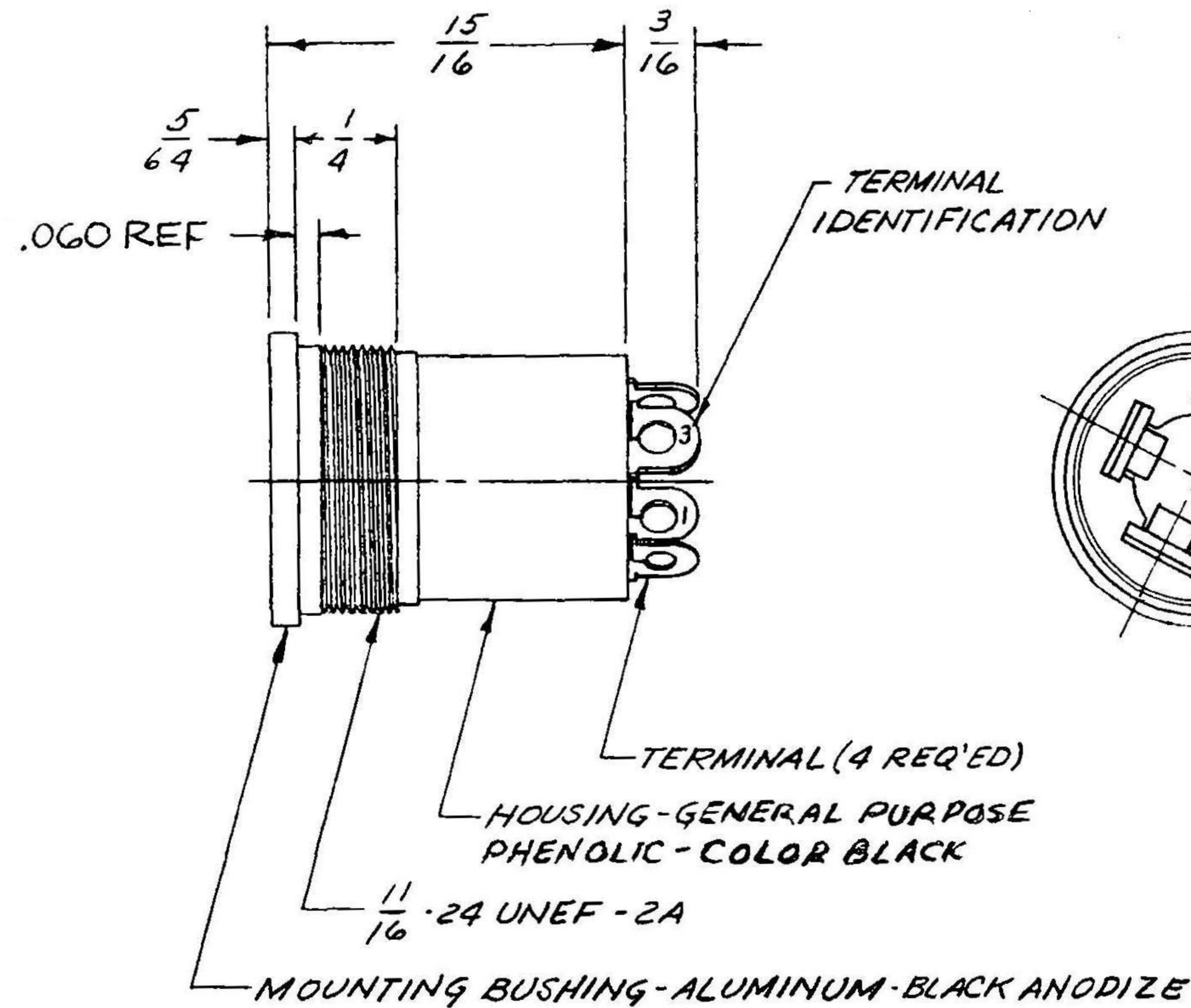
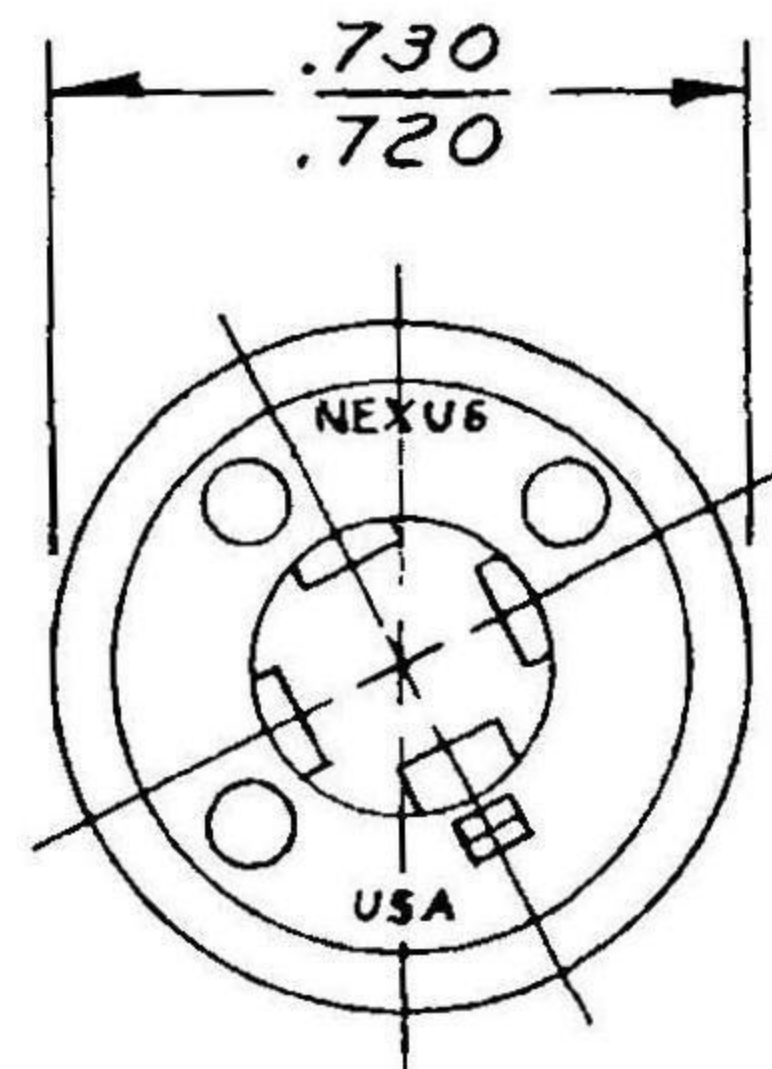


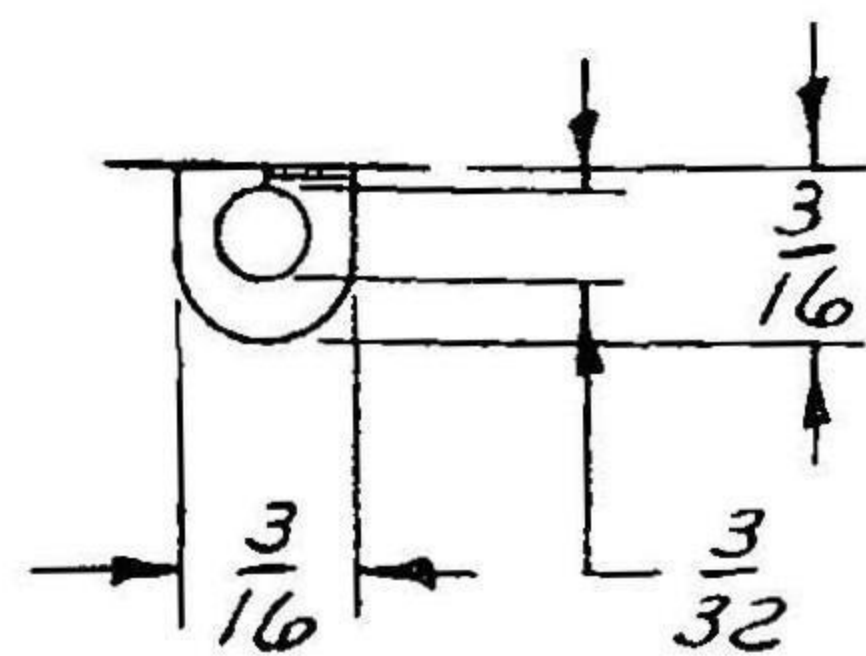
B TJT-120EU

NOTES:

1. TERMINALS # 1, 2, 3 & 4 TO BE BERY. COPPER.
2. ALL TERMINALS FINISHED PER QQ-N-290 TYPE I CLASS VIII NICKEL.
3. ASSEMBLY TO MAKE CONTACT WITH TELEPHONE PLUGS TYPE U-93A/U, U-174/U & NEXUS TP-120.
4. TERMINALS 1 & 3 ARE FOR MICROPHONE CIRCUIT, TERMINALS 2 & 4 ARE FOR EARPHONE CIRCUIT.
5. INSERTION FORCE: 13 LBS MAX
WITHDRAWAL FORCE: 5 LBS MIN., 10 LBS MAX.
6. ELECTRICAL:
 - A. DIALECTRIC STRENGTH - 500 VOLTS RMS MIN. BETWEEN ANY PAIR OF CONTACTS.
 - B. INSULATION RESISTANCE - 100 MEGAOHMS MIN. BETWEEN ANY PAIR OF CONTACTS.



INCLUDES:
NUT
(TJT-120-2EU)
LOCKWASHER
(TJT-120-3EU)



TERMINAL DETAIL

A	INITIAL RELEASE	9/6/07	EWT
LET.	REVISION	DATE	CHK.

DWN. BY EWT	DATE 9/6/07	MATERIAL	
CHECKED BY		FINISH	
APPR. BY		WEIGHT	SCALE 2:1
UNLESS OTHERWISE SPECIFIED		TITLE	
DIMENSIONS ARE IN INCHES		PHONE JACK ASSEMBLY (ROHS)	
TOLERANCES ON FRACTIONS DECIMALS ANGLES			
DO NOT SCALE DWG.		SHEET	OF
		NEXUS STAMFORD, CONN.	
		B TJT-120EU	