

# SPECIFICATION

**CB SPEAKER**

**TEAM TS-810**



### 1: General Description

| S/N  | Item             | Spec.                           | Remarks                        |
|------|------------------|---------------------------------|--------------------------------|
| 1--1 | Product Name     | External Speaker                |                                |
| 1--2 | Rating power     | 10W                             | 10V                            |
| 1--3 | Output Impedance | 8Ω                              |                                |
| 1--4 | Magnet data      | Outside magnet                  |                                |
| 1--5 | Net Weight       | 620g                            | incl. cable & mounting bracket |
| 1--6 | Cable            | Audio line Φ=3mm,L=2m mono plug |                                |
| 1--7 | Power Supply     | /                               |                                |

### 2: Standard Working Environment

If not specially requested, it works under below normal conditions:

Atmospheric temperature of 15~35°C, Humidity of 45-85%, and Conventional pneumatic of 860-1060 hpa

### 3: Mechanical Dimension

| S/N  | Item              | Spec.                | Remarks       |
|------|-------------------|----------------------|---------------|
| 3--1 | Outside dimension | See attached drawing | See drawing 1 |

### 4: Electrical Features

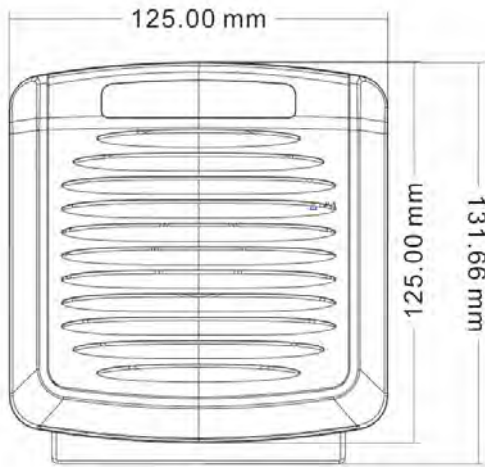
| S/N  | Item                              | Spec.            | Remarks                               |
|------|-----------------------------------|------------------|---------------------------------------|
| 4--1 | Rated impedance                   | 8Ω±15 %          | 50 MA/1K Hz/0.56 V                    |
| 4--2 | Limit resonance freq.             | 300±20% Hz       | Monomer horn                          |
| 4--3 | Rated features sensitivity levels | 89±3 dB          | AT 1W/0.5M/2 V                        |
| 4--4 | Rated frequency range             | FO-20KHz         | OUTPUT S.P.L.±10dB                    |
| 4--5 | Rated output power                | 10W              |                                       |
| 4--6 | Maximum output power              | 15W              |                                       |
| 4--7 | Pure sound inspection             | No abnormalities | Analog signals 10V                    |
| 4--8 | Abnormal Sound                    | No abnormalities | Sweep frequency 20HZ-20KHZ, range 10V |
| 4--9 | Distortion rate                   | 5% MAX           | 5≤ % Rated power input 1M at 1KHz     |

### 5: Reliability Test

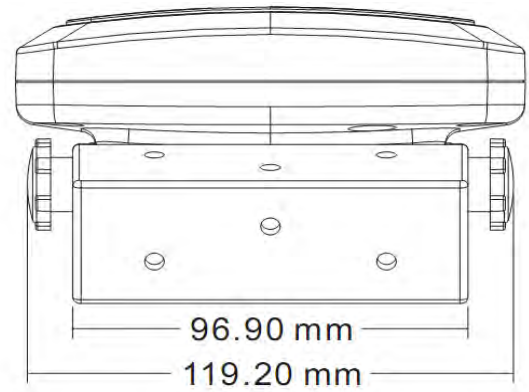
| S/N  | Item                  | Spec.            | Remarks   |
|------|-----------------------|------------------|---|
| 5--1 | Continuous load       |                  | Operating 48 hours at 5W W/O receiving any signal |
| 5--2 | Heat resistance test  |                  | 70°C±2°C, 20-25% R.H.Operating 48 h               |
| 5--3 | Low temperature test  |                  | (-)50°C±2°C, 20-25% R.H.Operating 48 h            |
| 5--4 | Wet resistance test   |                  | 25°C±2°C, 90-95 % R.H.Operating 48 h              |
| 5--5 | Withstand voltage     | No abnormalities | AC 100V , 1 MIN                                   |
| 5--6 | Insulation resistance | No abnormalities | DC 100V   |

Attached drawings 1:

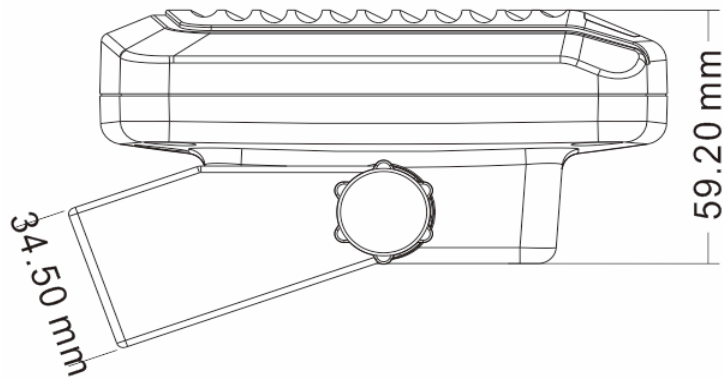
**Front Side View**



**Bottom View**



**Side View**



**Unit:MM, +/-0.2MM. Material ABS(Black)**



Attached drawings:

