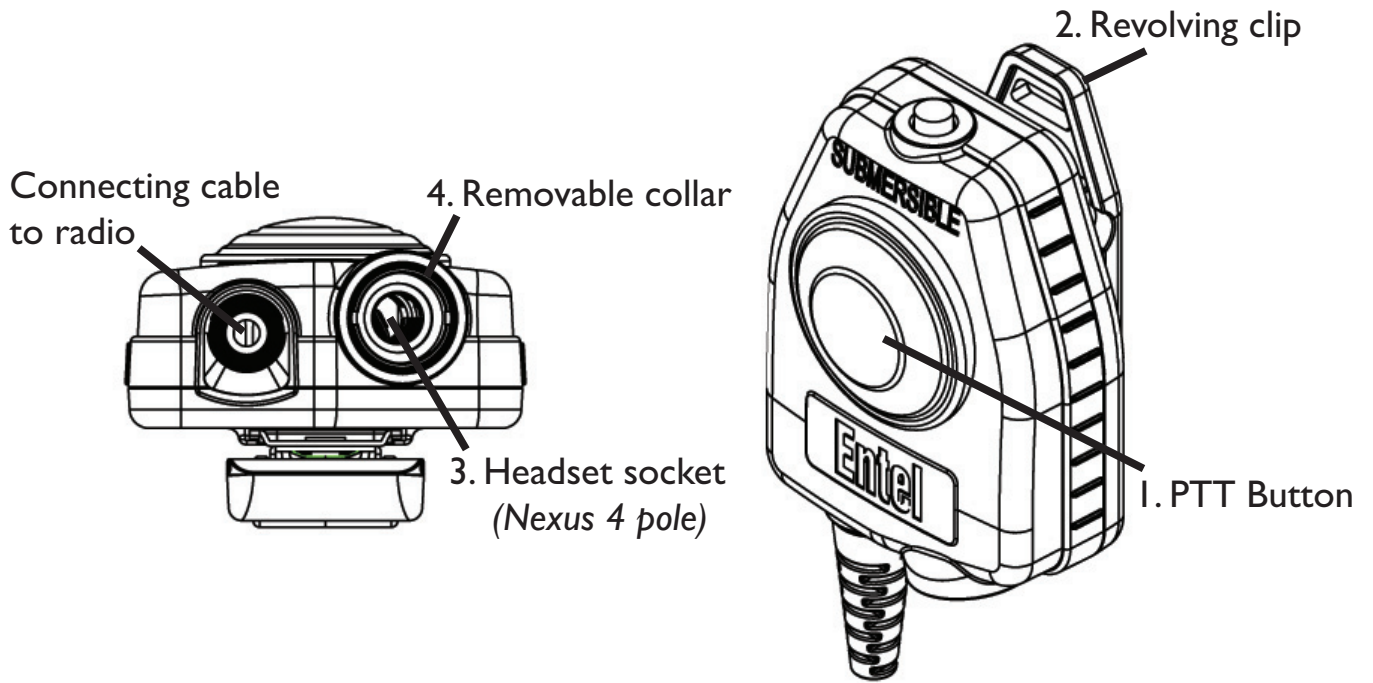


PTT SERIES SUBMERSIBLE HEAVY DUTY PTT SWITCH

Thank you for purchasing the Entel PTT switch. This user guide will explain the features of your submersible PTT switch, which with care should provide many years of trouble free operation



Always switch the radio off before attaching an audio accessory

1. PTT button - Press the PTT button to transmit, release to receive
2. Revolving clip - Used to attach the PTT unit to a pocket or collar. This clip may be rotated to aid attachment
3. Headset socket - Push the 4 pole Nexus headset plug in to the connector socket firmly (use of any other connector may damage the socket and invalidate the warranty)
4. Removable collar - When using Entel** headset with the PTT unit, it may be necessary to unscrew the removable collar to enable the 4 pole connector to fit correctly.

Specifications

Submersible	IP67 (1 metres for 30 minutes)
Dimensions	W60mm, H76mm, D24mm (exc protrusions)
Weight	142g

** Check with your dealer for non Entel headset compatibility

