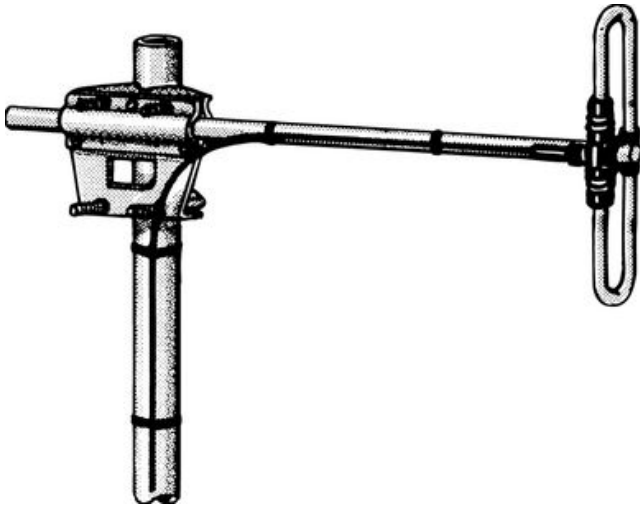


# DP 70/...

## Centre-Fed Folded Dipole for the 450 MHz Band

### DESCRIPTION

- Single, 0 dBd folded dipole incorporating a balun optimized for wide bandwidth and accurate matching.
- The entire balun unit and feeder terminations are completely sealed in a polythene moulding ensuring permanent waterproof connections.
- The dipole element, the supporting boom and the adjoining metal castings have been constructed in high quality aluminium alloys to prevent corrosion. All metal parts are DC-grounded.
- DP 70/... may be arranged in a variety of ways to produce higher gain, directional lobes or interference cancellation, and suitable matching harnesses are available.
- The antenna is supplied complete with clamp for mounting on 30 - 58 mm diameter mast tube.

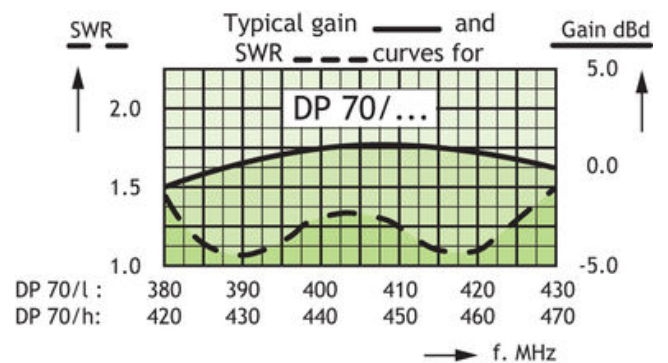


### ORDERING DESIGNATIONS

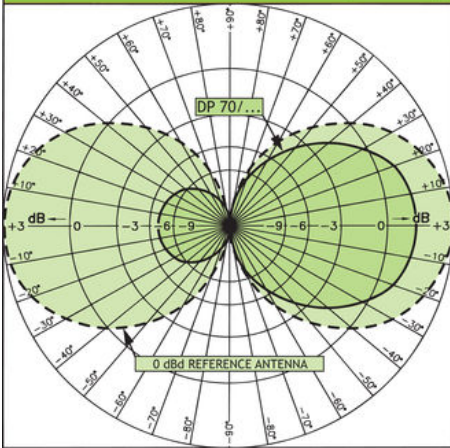
TYPE NO.	FREQUENCY	PRODUCT NO.
DP 70/l	380 – 430 MHz	120000044
DP 70/h	420 - 470 MHz	120000046

### SPECIFICATIONS

ELECTRICAL	
MODEL	DP 70/...
ANTENNA TYPE	Centre-fed folded dipole with boom
FREQUENCY	DP 70/l : 380 - 430 MHz DP 70/h: 420 - 470 MHz
IMPEDANCE	Nom. 50 Ω
POLARISATION	Vertical or horizontal
GAIN	2 dBi 0 dBd
BAND WIDTH	50 MHz
SWR	≤ 1.5
MAX. POWER	150 W
MECHANICAL	
TEMP. RANGE	-25°C → +60°C
CONNECTOR	3 m tail of RG 213 terminated with type N-female conn.
WIND SURFACE	0.0396 m <sup>2</sup>
WIND LOAD	12 N @ 160 km/h
COLOUR	"Aluminium"
MATERIALS	Aluminium
DIMENSIONS	Boom dia. : 31.8 mm Dipole element dia. : 19.0 mm Boom length : Approx. 0.9 m Element length : Approx. 0.3 m
WEIGHT	Approx. 2.6 kg
MOUNTING	On 30-58 mm dia. mast tube

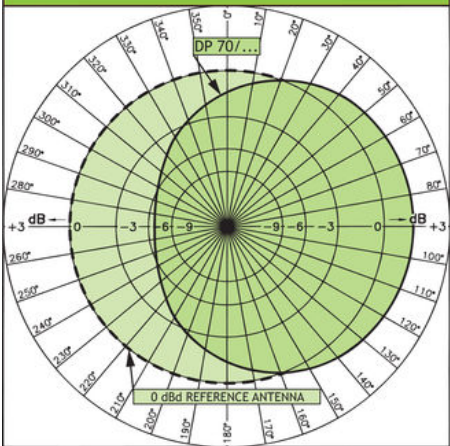


### TYPICAL RADIATION PATTERN (E-PLANE)



If the antenna is mounted for vertical polarisation this curve shows the radiation pattern in the vertical plane.

### TYPICAL RADIATION PATTERN (H-PLANE)



If the antenna is mounted for vertical polarisation this curve shows the radiation pattern in the horizontal plane (horizontal coverage). The assymetry is caused by the presence of the mast.



PROCOM A/S reserve the right to amend specifications without prior notice.

23/06/2009