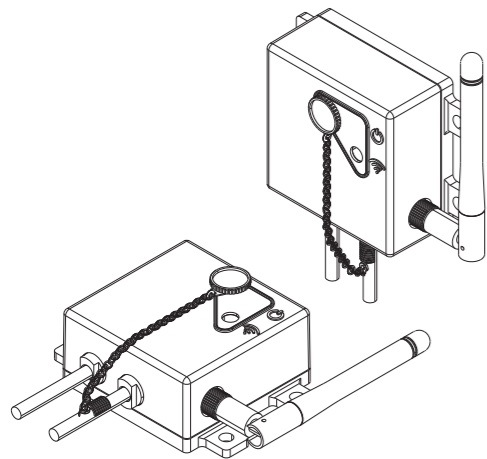


EWS-10

Owner's Manual



- 1 COMPOSITION
- 2 INSTALLATION
- 3 CONNECTION WIRING
- 4 HOW TO PAIRING
- 5 FEATURES
- 6 SPECIFICATIONS

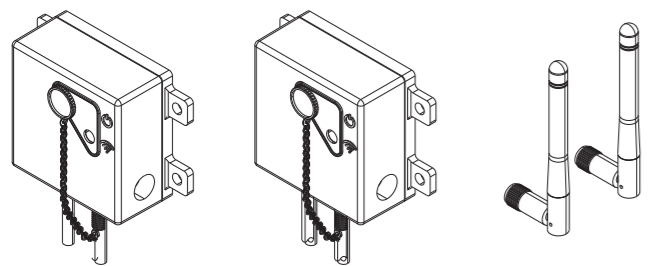
CAUTION BEFORE USAGE

1. PLEASE USE THE PRODUCT AFTER READING THE MANUAL CAREFULLY FOR SAFE USAGE. PLEASE INSTALL AND USE THE PRODUCT AFTER FULLY AWARE OF THE MANUAL AND PRECAUTION.
2. ASK EXPERIENCED TECHNICIAN FOR PRODUCT INSTALLATION. INSTALLATION SHOULD BE DONE BY THE TECHNICIAN DUE TO PROFESSIONAL SKILLS AND EXPERIENCE IS REQUIRED.
3. DO NOT INSTALL, OPEN OR MODIFY THE PRODUCT RANDOMLY. IT CAN CAUSE PRODUCT MALFUNCTION, ELECTRIC SHOCK, FIRE AND ALSO WATERPROOF PROBLEM FOR WATERPROOF PRODUCT. CONTACT THE SERVICE CENTER AND ASK FOR A/S, IF REPAIRS ARE NECESSARY.
4. USE REGULATED VOLTAGE, PROTECTION CIRCUIT IS BUILT INSIDE BUT OVER VOLTAGE USAGE CAN CAUSE DAMAGE TO THE PRODUCT. MANUFACTURER WILL NOT TAKE RESPONSIBILITY FOR THE PRODUCT MALFUNCTION CAUSED BY OVER VOLTAGE.
5. DO NOT DROP OR GIVE EXTERNAL SHOCK TO THE PRODUCT. THE PRODUCT SCREEN OR EXTERIOR CAN BE DAMAGED AND CAUSE MALFUNCTION OF THE INTERNAL PARTS. IN THIS CASE NORMAL CUSTOMER SUPPORT AND A/S CAN'T BE RECEIVED.
6. CONNECT THE MAIN POWER AFTER INSTALLATION, IT CAN CAUSE PRODUCT MALFUNCTION, FIRE AND ELECTRIC SHOCK.
7. USE AUTHORIZED ACCESSORY & COMPONENTS. USING UNAUTHORIZED ACCESSORY & COMPONENTS CAN CAUSE PRODUCT MALFUNCTION AND THE MANUFACTURER WILL NOT TAKE RESPONSIBILITY FOR THE MALFUNCTION.
8. THE PRODUCT IS DESIGNED FOR NORMAL CONDITION USAGE. PLEASE FULLY CONSULT AND DISCUSS WITH YOUR DEALER OR MANUFACTURER IF YOU NEED TO USE THE PRODUCT IN SPECIAL CONDITION. OTHERWISE, IT CAN PRODUCT MALFUNCTION IN ABNORMAL CONDITION USAGE.

SAFETY & CAUTION DURING THE USAGE

- DO NOT CUT OR DAMAGE THE CABLE RANDOMLY. IT CAN CAUSE PRODUCT MALFUNCTION OR WATERPROOF FUNCTION DETECT. MANUFACTURER WILL NOT TAKE RESPONSIBILITY FOR THE MALFUNCTION.
 - DO NOT DROP THE PRODUCT IN THE WATER OR KEEP IN HUMID PLACE FOR A LONG TIME. IT WILL BE CLASSIFIED AS INUNDATION REASON AND WON'T BE ABLE TO GET FREE A/S SERVICE. (NON-WATERPROOF MONITOR)
 - TIGHTEN THE CONNECTORS WHEN CONNECTING THE EXTENSION CABLE. OTHERWISE, IT CAN CAUSE CONNECTION PROBLEM OR WATERPROOF FUNCTION DEFECT OF THE PRODUCT.
 - DO NOT WRAP THE PRODUCT WITH ANY FABRIC WHILE OPERATING. DUE TO INTERNAL TEMPERATURE RISING, IT CAN CAUSE PRODUCT MALFUNCTION OR FIRE.
 - CHECK THE FIXED CONDITION OF THE BRACKET AND PRODUCT BEFORE DRIVING. IT CAN CAUSE DAMAGE WHILE DRIVING IN UNSTABLE CONDITION BY PHYSICAL PHENOMENONS. MANUFACTURER WILL NOT TAKE RESPONSIBILITY FOR USER'S NEGLIGENCE.
 - AVOID SEVERE ELECTROSTATIC CONDITION. IT CAN CAUSE PRODUCT MALFUNCTION.
 - DO NOT PILE UP HEAVY STUFF IN THE PRODUCT. IT CAN CAUSE PRODUCT PROBLEMS OR DAMAGE.
 - DO NOT USE THE PRODUCT IMMEDIATELY AFTER LEAVING ALONE FOR A LONG PERIOD IN SUMMER OR WINTER. IT CAN CAUSE SERIOUS DAMAGE TO THE PRODUCT WHEN USING IN INAPPROPRIATE TEMPERATURE.
 - IF ANY DEBRIS IS FOUND INSIDE OF THE PRODUCT, DISCONNECT THE POWER CABLE AND VISIT THE A/S CENTER. IT CAN CAUSE ELECTRIC SHOCK OR MALFUNCTION WHEN USED CONTINUOUSLY.
 - THE SHUTTER DOES NOT WORK IN FREEZING CONDITIONS. PLEASE USE AFTER THAWING. (THE MOTOR IS PROTECTED BY THE APPLIED SLIP TORQUE) (SHUTTER APPLIED MODEL ONLY)
 - DO NOT CLEAN THE PRODUCT WITH CHEMICAL PRODUCT. (ALCOHOL, BENZENE, ACETONE AND ECT) IT CAN CAUSE DAMAGE OF THE PRODUCT SURFACE OR PRODUCT MALFUNCTION.
 - STOP USING THE PRODUCT IMMEDIATELY IF BURNING SMELL, SMOKE OR SEVERE OVERHEATING OCCURS WHILE USAGE AND VISIT THE A/S CENTER.
 - MAKE SURE THE CONNECT POWER CABLE AND CAMERA CABLE IN RIGHT DIRECTION. WRONG WIRE CONNECTION CAN CAUSE DAMAGE TO THE PRODUCT.
- * USE REGULATED VOLTAGE FOR EACH CAMERA. (REFER PRODUCT SPECIFICATION)**
- * DO NOT CUT THE CABLE RANDOMLY.**
- * OUR COMPANY WILL NOT TAKE RESPONSIBILITY IN CASE OF PRODUCT DAMAGE DUE TO CONSUMER'S NEGLIGENCE.**

1 COMPOSITION



EWS-10R

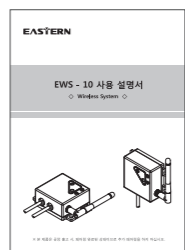
EWS-10T

Antenna (2)

Machine screw
M5 x16L
Stainless (8)

Tapping screw
T5x16L
Stainless (8)

Nut M5xH5
Stainless (8)

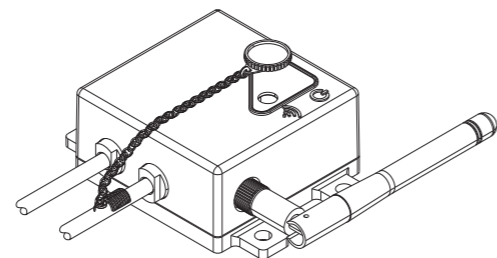
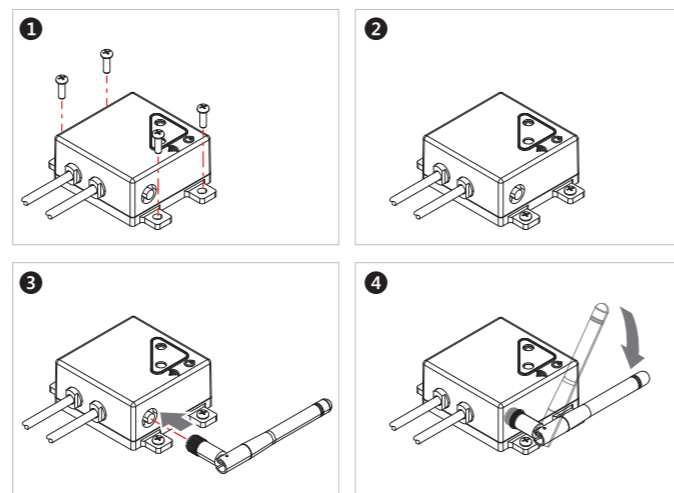


INSTRUCTION
MANUAL

2 INSTALLATION

* Install EWS-10 firmly at the adequate position of vehicle where you want to install EWS-10.

* EWS-10 can be installed properly according to user's convenience and characteristics of vehicle.



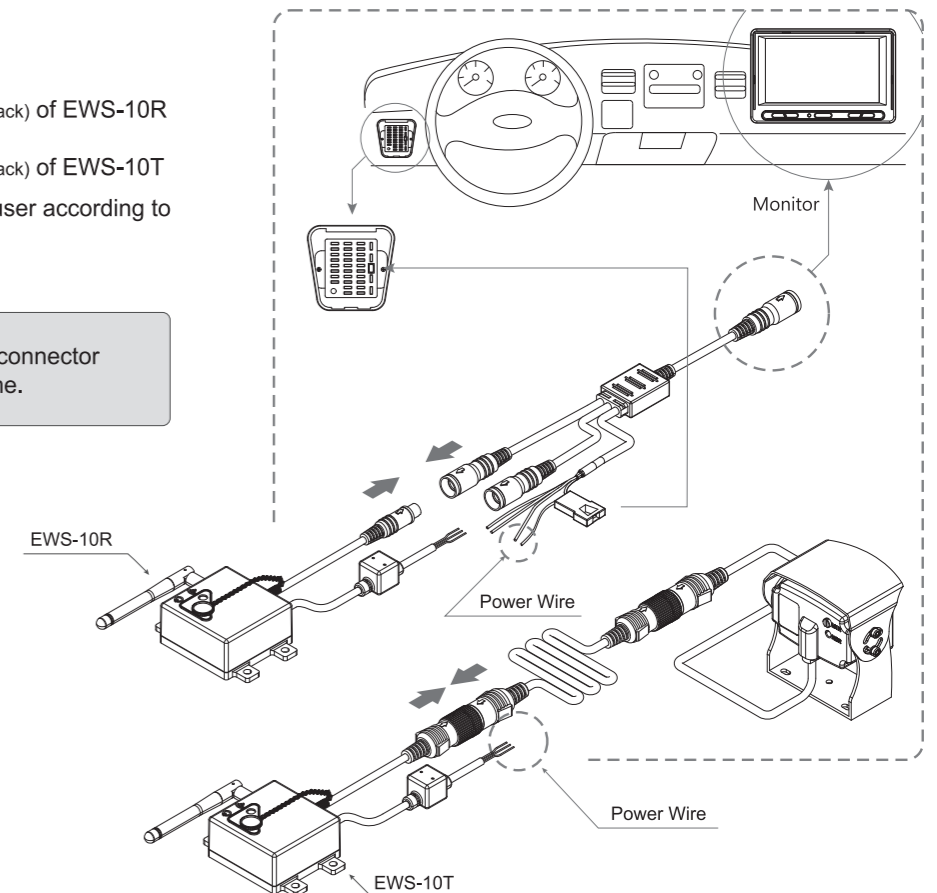
3 CONNECTION WIRING

Connect EWS-10

1. Connect EWS-10R with monitor
2. Connect power wire (RED) and ground wire (Black) of EWS-10R
3. Connect EWS-10T with Camera
4. Connect power wire (RED) and ground wire (Black) of EWS-10T

* Power Connection Should be chosen by user according to power supply conditions.

Use acid free vaseline or grease inside of connector before fixation for a guaranteed long lifetime.



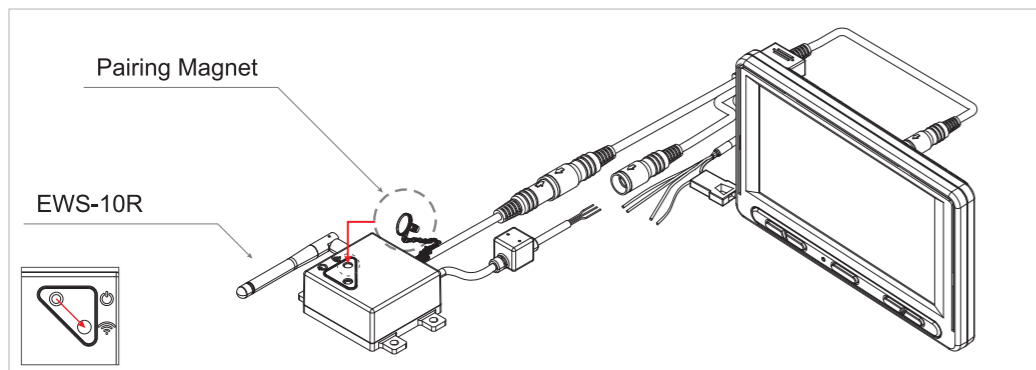
Power Wire Function

Pin No.	Description	Color
1	Power in DC (10 to 32V)	RED
2	Ground	BLACK
3	Pairing	GREEN

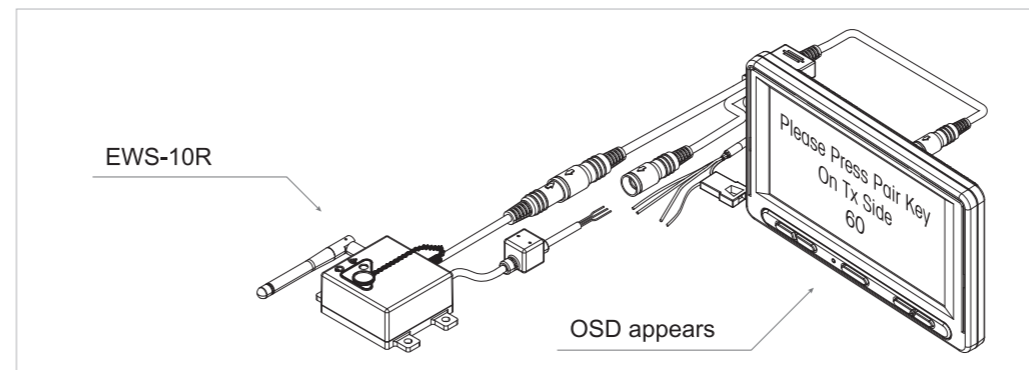
4 HOW TO PAIRING WHEN HAVING PROBLEM ON PAIRING

Magnet Pairing

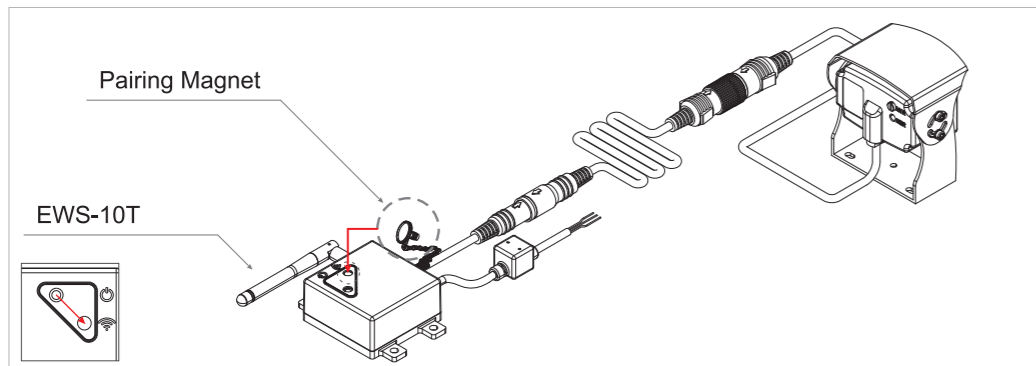
1. Proceed pairing by attaching the magnet close to the magnet hole of EWS-10R.



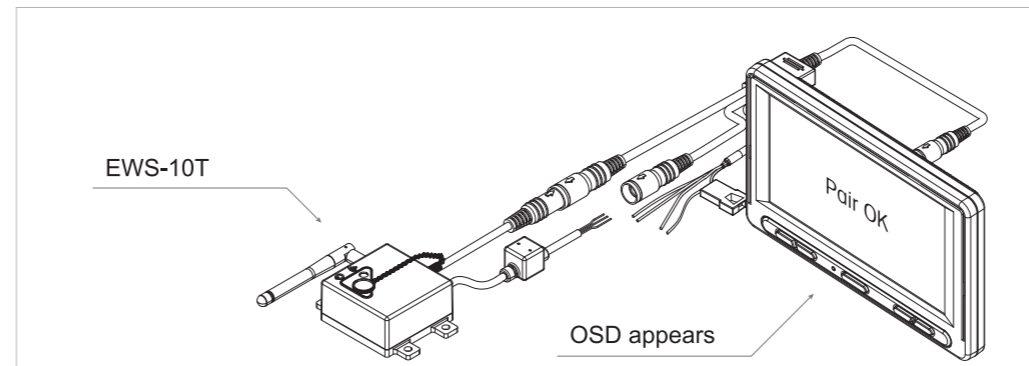
2. OSD " Please Press Pair Key On TX Side 60 " appears on the monitor screen when EWS-10R is on pairing mode.



3. Proceed pairing by attaching the magnet close to the magnet hole of EWS-10T within 60 sec Pairing start.



4. The video appears after " Pair OK " comes out from the monitor when pairing is completed.



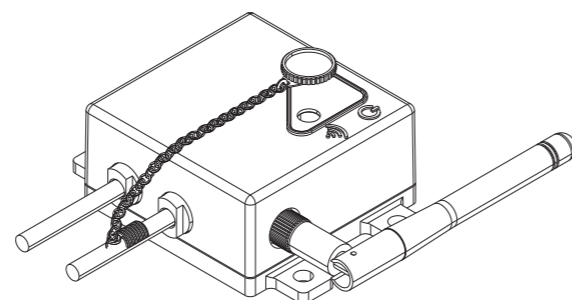
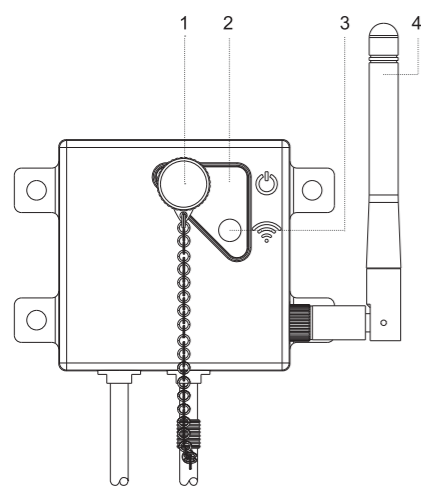
Wire Pairing

1. Proceed pairing by connecting green wire of EWS-10R with power supply.
2. OSD "Please Press Pair Key On TX Side 60" appears on the monitor screen when EWS-10R is on pairing mode.
3. Disconnect green wire of EWS-10R from power supply
4. Connect green wire of EWS-10R with power supply.
5. The video appears after "Pair OK" comes out from the monitor when pairing is completed.
6. Disconnect green wire of EWS-10R from power supply.

Auto Pairing

1. Proceed pairing by connecting green wire of EWS-10R with power supply.
2. OSD "Please Press Key On TX Side 60" appears on the monitor screen when EWS-10R is on pairing mode.
3. Disconnect green wire of EWS-10R from power supply.
4. Connect power wire (RED) and ground wire (BLACK) with Power and Ground of Back light.
5. The video appears after "Pair OK" comes out from the monitor when pairing is completed.

5 FEATURES



2.4 GHz Digital Wireless System

- Low Latency Transmission (≒100 ms)
- Low Delay on Start Up
- Auto Pairing
- Manual Pairing (Magnet Pairing, Wire Pairing)
- Anti Communication Interrupt
- Vandal Resistance (AL Housing)
- Intelligent frequency hopping tech on FHSS
- Transmission method
- Waterproof IP69K
- Wide Range Power Input DC 10 V ~ 32 V
- Operating Temp. -40°C to +85°C

1	Pairing Magnet
2	LED
3	Pairing Switch Hole
4	Antenna

6 SPECIFICATIONS

Model No.	EWS-10T EWS-10R
Operating Frequency	: 2.4095 GHz ~ 2.4696 GHz ISM band
Data Rate	: 4 Mbps (Max)
Transmission distance	: 200m (at open space)
Frame Rate	: Up to 25 fps at 720 × 576 (PAL) Up to 30 fps at 720 × 480 (NTSC)
Type of Spread Spectrum	: FHSS
Receiving Sensitivity	: -85 dBm
Video compression format	: MPEG4
Transmission power	: 19 dBm
Latency	: Average 100 ms
Power Input	: DC 10V ~ 32V
Power Consumption	: Max. 5 Watt
IP Rating	: IP 69K
Operating Temp.	: -40° C to +85 °C
Dimension	: 65(W) × 65(H) × 33(D) mm
Weight	: Approx. 200g (2x)
Supplied Accessories	: EWS-10R EWS-10T Screw Kits (2) Antenna (2) Instruction Manual

FCC Compliance Statement

This device complies with part 15 of the FCC Rules. Operation is subject to the following two conditions :

- (1) This device may not cause harmful interference, and
- (2) This device must accept any interference received, including interference that may cause undesired operation.

CAUTION

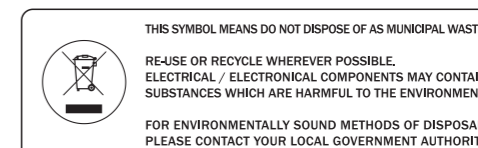
Changes or modifications not expressly approved by the manufacturer responsible for compliance could void the user's authority to operate the equipment.

Important Note

To comply with FCC RF exposure compliance requirements, the antenna used for this transmitter must be installed to provide a separation distance of at least 20cm from all persons and must not be co-located or operating in conjunction with any other antenna or transmitter.

European Union Notice

This system has been tested for conformance with CE radio spectral, EMC and safety requirements.



* Design and specifications are subject to change without notice.
* Patent registered.

" Perfect Quality, On-Time Delivery & Speedy A/S "