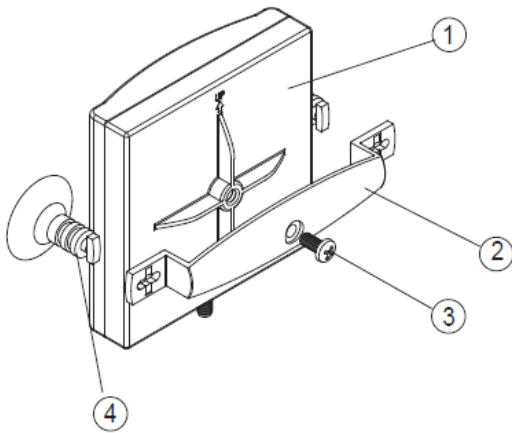


# Mounting Configuration

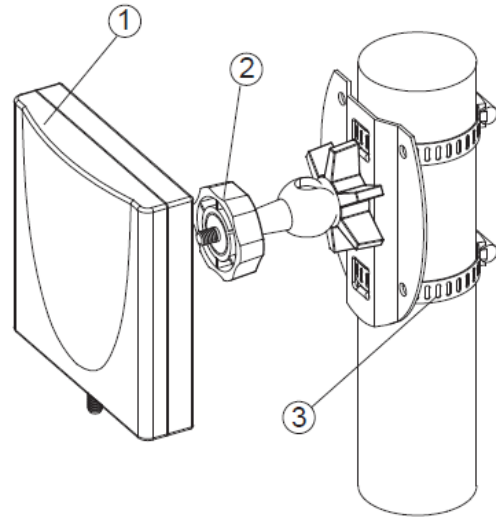
## Window Mount

- ① Antenna Body
- ② Window Mounting Adapter - 1pcs
- ③ M6\*12mm Screw - 1pcs
- ④ Cupule - 2pcs

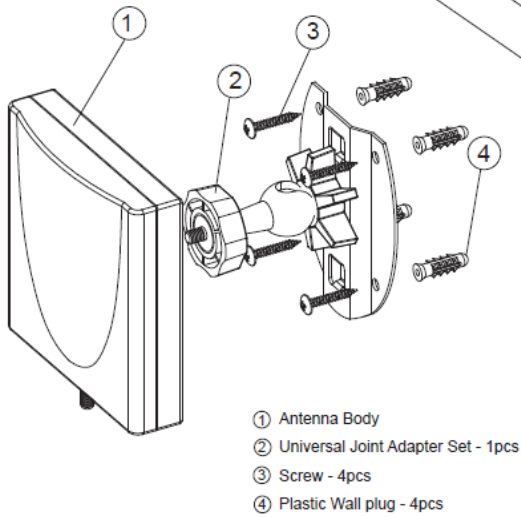


## Pole Mount

- ① Antenna Body
- ② Universal Joint Adapter Set - 1pcs
- ③ Hose Clamp 2"-1/2" - 2pcs



## Wall Mount



### Note:

- a. Please mount the antenna on the pole of max 2" diameter.
- b. Do not place the antenna up-side-down and always use it at vertical polarization to allow draining of moisture.