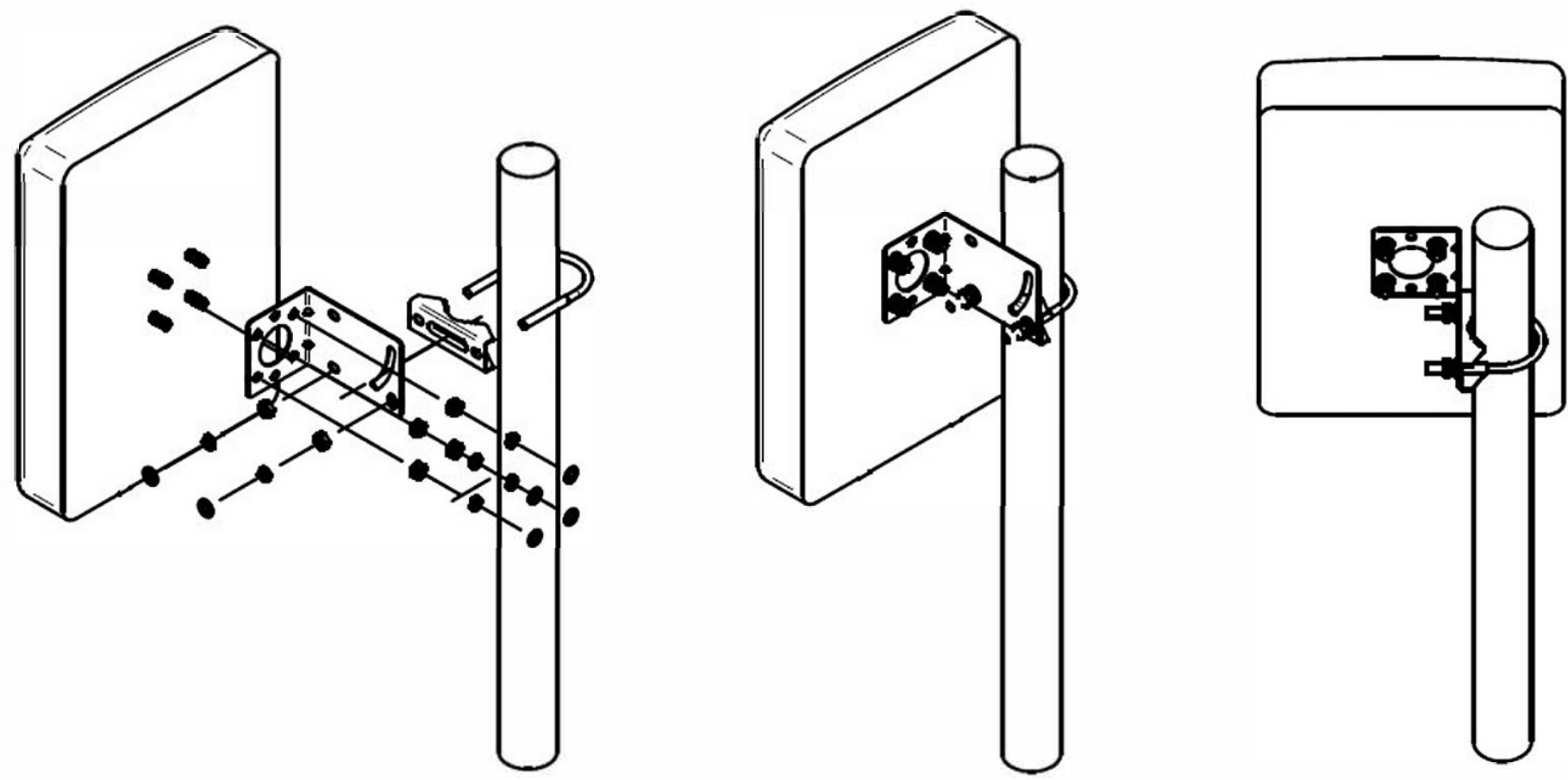


ROHS

150 9001
150 14001



Material:		Treatment:		TRANSVOICE			
Drawer	Design	Aprov	Tolerance	Unit: mm		TITLE	
			X=±0.5 .X=±0.2 .XX=±0.1 .XXX=±0.05	Ver: A	Scale 1:5	Model NO	208-985
Part NO				File NO: QR0402		Drawing NO	

NO	DESCRIPTION	MATERIAL / FINISH	QTY
	Part NO		