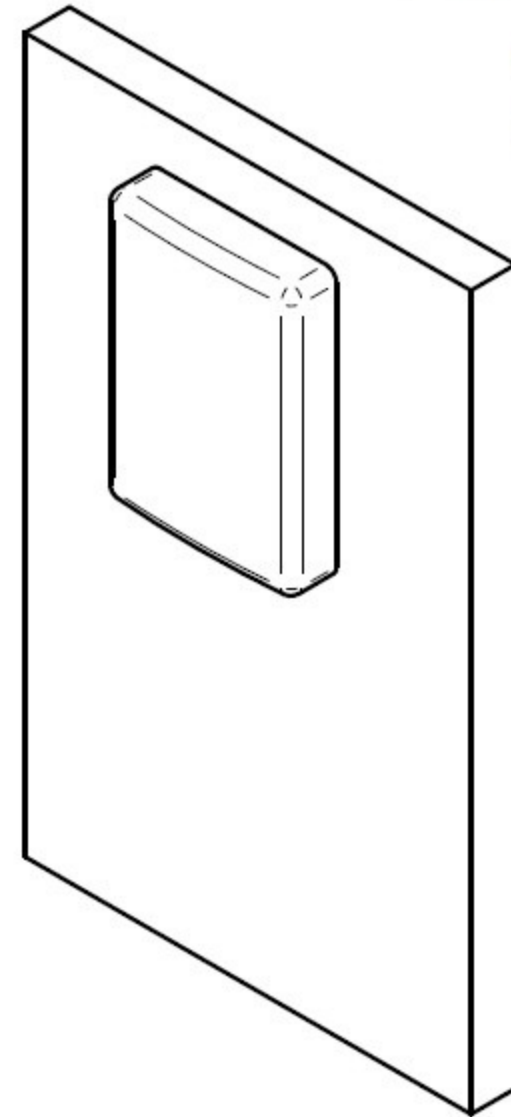
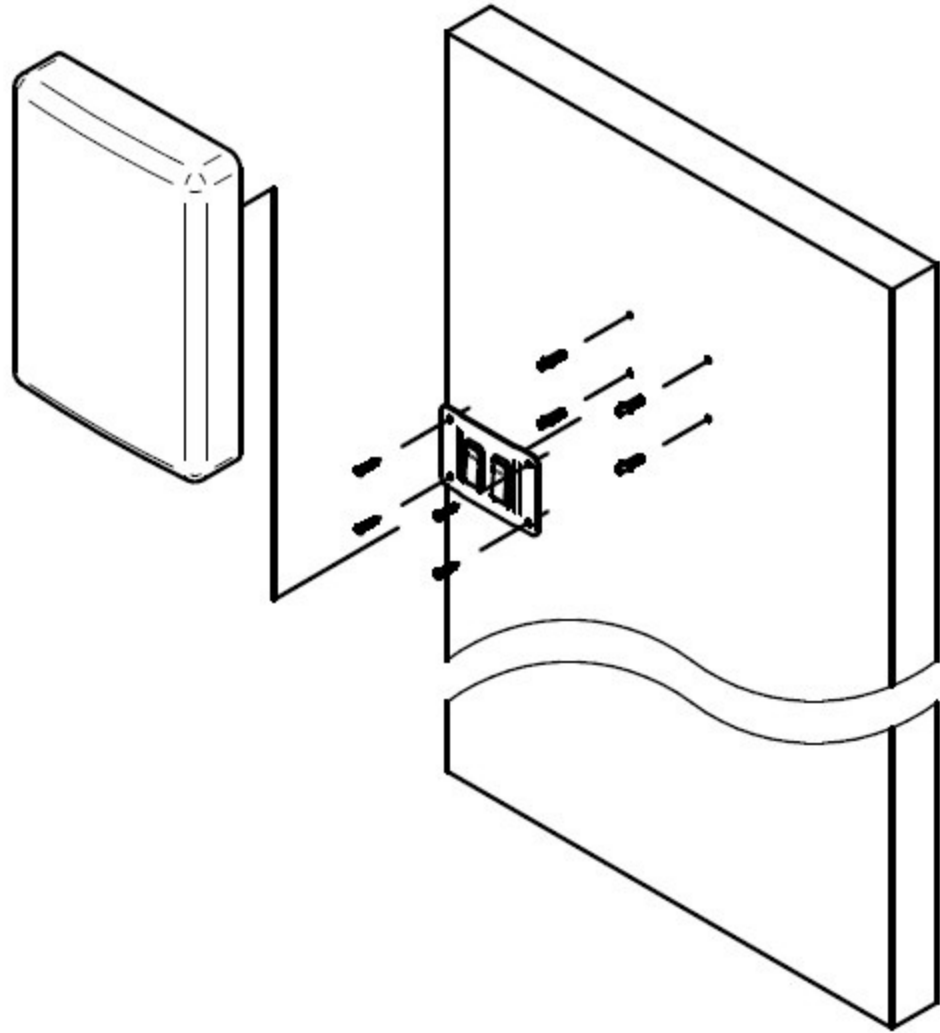


ROHS

ISO 9001
ISO 14001



Material:		Treatment:		TRANSVOICE			
Drawer	Design	Aprov	Tolerance	Unit: mm		TITLE	
			X=±0.5	Ver: A	Scale 1:6.67	Model NO	208-986
			.X=±0.2	File NO: QR0402		Drawing NO	
			.XX=±0.1				
			.XXX=±0.05				

NO	DESCRIPTION	MATERIAL / FINISH	Q"TY
Part NO			